

# BONALDO

## Dune

Designer: **Giuseppe Viganò**

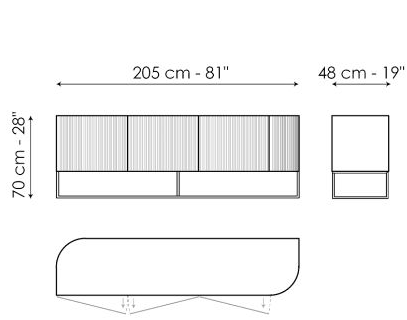


The wooden front doors feature a wavy surface that creates an alternation of light and shadow, while the metal base has an asymmetrical design that enhances the horizontal structure of the sideboard. Dune is a design wooden sideboard with a rigorous style, which is also extremely elegant and meticulously designed down to the last detail. It

is an element that fits perfectly into both a private home and an office. The Dune sideboard is available in two different colour combinations: bronze lacquered wood outer frame, Canaletto walnut doors and bronze-coloured metal base or lead lacquered wood outer frame, coal ash doors and lead-coloured metal base.

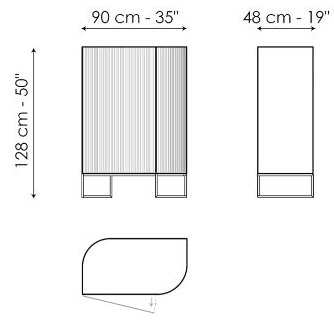


# Data sheet



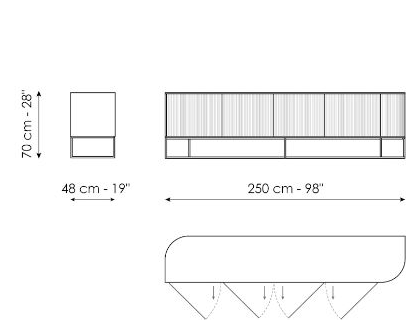
## Dune

Width: 205cm  
Depth: 48cm  
Height: 70cm



## Dune high

Width: 90cm  
Depth: 48cm  
Height: 128cm



## Dune 250

Width: 250cm  
Depth: 48cm  
Height: 70cm

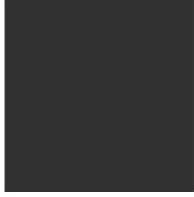
# Finishes

## OUTSIDE FRAME

Wood



**Lacquered wood**  
Mat bronze



**Lacquered wood**  
Mat lead

---

## DOORS

Wood



**Veneered wood**  
Walnut Canaletto



**Veneered wood**  
Coal oak

---

# BASE

Plus Metal



**Painted metal**  
Mat bronze



**Painted metal**  
Mat lead

---

# TOP - DUNE 250

## Ceramic



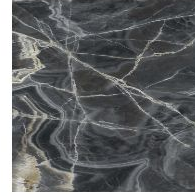
**Mat ceramic**  
Alaska White



**Mat ceramic**  
Ardesia grey



**Mat ceramic**  
Augusta



**Glossy ceramic**  
Black Onyx



**Glossy ceramic**  
Calacatta



**Silk finish ceramic**  
Calacatta macchia  
vecchia



**Glossy ceramic**  
Imperial grey



**Mat ceramic**  
Laurent



**Glossy ceramic**  
Rosso imperiale



**Glossy ceramic**  
Mountain peak

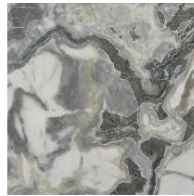
## Marble



**Marble**  
Calacatta



**Marble**  
Carrara



**Marble**  
Dover White



**Marble**  
Emperador



**Marble**  
Fior di bosco



**Marble**  
Marquinia



**Marble**  
Rosso Carpazi



**Marble**  
Saint Denis



**Marble**  
Travertino Romano

Materials, fabrics, leathers, colors and finishes are approximate and may slightly differ from actual ones. You can find the complete collection of Bonaldo fabrics and leathers on the website