

# BONALDO

## Bruno

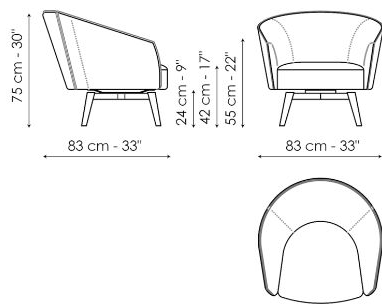


Bruno is a furniture armchair with a line featuring sobriety, but which is reminiscent of design tradition. The generous padding and curved shapes make its image pleasantly soft. The aesthetic appeal is accentuated by the edge of the armrests and backrest which, in a single line, lead to a unique game of materials and combinations, thereby creating a high-

impact optical effect. The upholstery, in fabric or leather, is completely removable. It is also available in the quilted version, named Bruno ego and it is also possible to choose two different bases for the Bruno armchair: with a closed and upholstered base or with four metal feet.

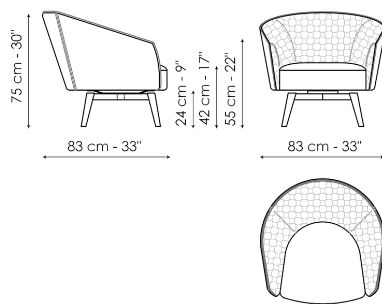


# Data sheet



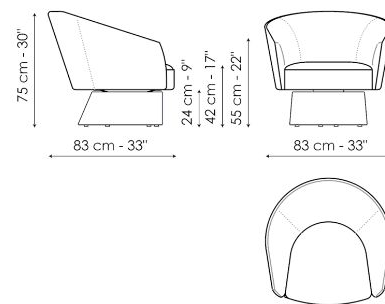
## Bruno - feet

Width: 83cm  
Depth: 83cm  
Height: 75cm



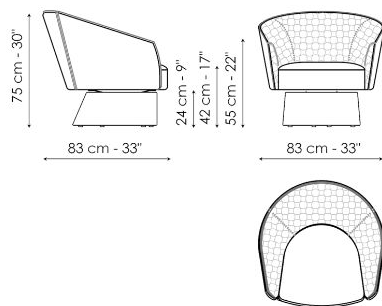
## Bruno ego - feet

Width: 83cm  
Depth: 83cm  
Height: 75cm



## Bruno - covered base

Width: 83cm  
Depth: 83cm  
Height: 75cm



## Bruno ego - covered base

Width: 83cm  
Depth: 83cm  
Height: 75cm

# Finishes

## FEET - BASE

### Metal



**Painted metal**  
Mat white



**Painted metal**  
Mat dove grey



**Painted metal**  
Supreme anthracite

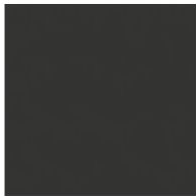


**Painted metal**  
Mat black

### Plus Metal



**Painted metal**  
Mat bronze



**Painted metal**  
Mat lead



**Painted metal**  
Mat pearl gold

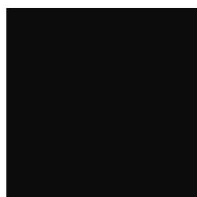
### Special Metal



**Metal finish**  
Clouded chrome



**Metal finish**  
Brown nickel



**Metal finish**  
Dark nickel

