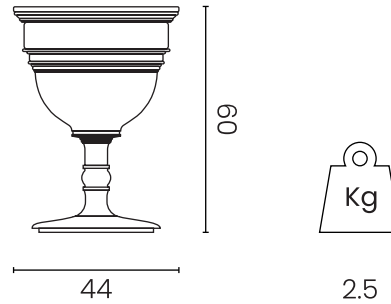


Capitol Planter

DESIGN STUDIO JOB

Planter rotomoulded in batch-coloured recycleable polyethylene, suitable for indoor and outdoor dry and wet locations.

Suitable also as a champagne cooler.



Materials

Seat:

Batch coloured polyethylene



Packaging

No. of parcels:	1
Weight (kg):	3
Volume (m ³):	0.1
Dimensions (LxWxH):	62 x 42 x 42 cm

Product use: Indoor and outdoor locations

Made in Italy

