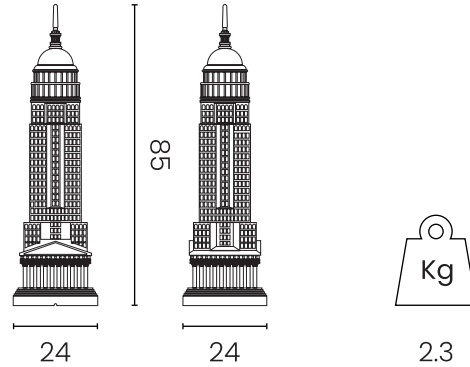
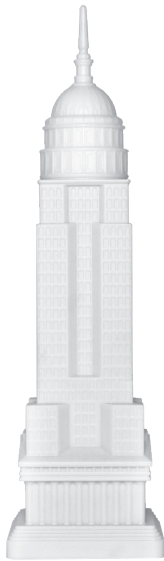
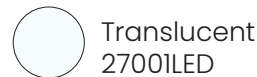


Lamp in rotomolded recyclable polyethylene.
 Touch capacitive sensor positioned on the base with three-step dimming function.
 Rechargeable with a 100 cm long USB type C cable ensuring continuous emission for up to 6 hours.
 5V 1A charger with EU plug included.



Materials

Body: Translucent polyethylene



Main specifications

Light source type:	2.4W PCB LED
Source flux (lm):	
Light color (k):	3000
CRI>	80
Light emission:	Diffused
Control:	Touch capacitive sensor
Dimmable:	Yes
Dimming type:	On board
Battery:	Li-Po 3.7V 3000mAh
Product use:	Indoor and outdoor

Packaging

No. of parcels:	1
Weight (kg):	3.25
Volume (m³):	0.06
Dimensions (LxWxH):	26 x 26 x 88 cm

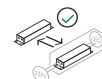
Ecodesign and Energy Labelling

This product contains a light source of **energy efficiency class**

The light source can only be replaced by the supplier with equivalent source



The power supply can be replaced by the user with equivalent model



Made in Italy

