

BONALDO

Mille

Designer: **Bartoli Design**

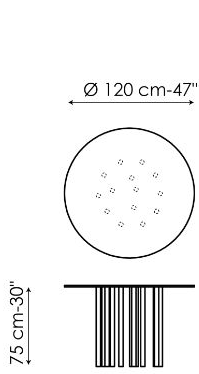


A design conceived to furnish and characterize the spaces, thanks to the transparency of the dining table glass design top combined with the numerous steel legs, thin tubular elements in chrome-plated steel or in bronze or lead painted metal that vary in number and position, depending on the sizes and shape of the top, in order to ensure

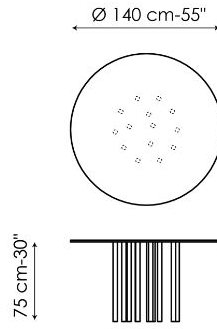
maximum stability and visual coherence. Mille is a fixed table that seems to possess all the harmony and dynamism of a transparent body in motion. Suitable for private residences and contract contexts, it is available with round or round-edged tops and in many sizes in order to meet all hospitality needs.



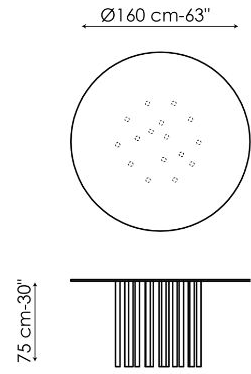
Data sheet



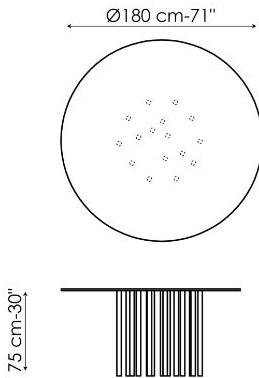
Width: 120cm
Depth: 120cm
Height: 75cm



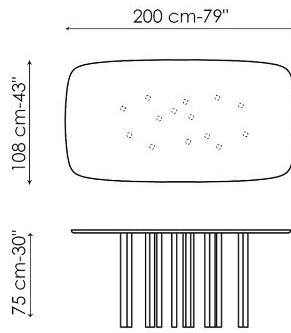
Width: 140cm
Depth: 140cm
Height: 75cm



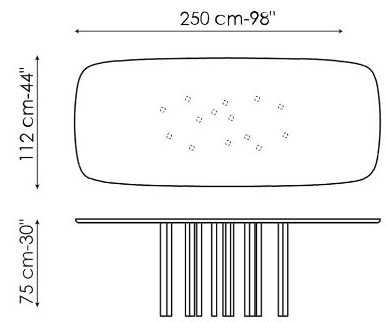
Width: 160cm
Depth: 160cm
Height: 75cm



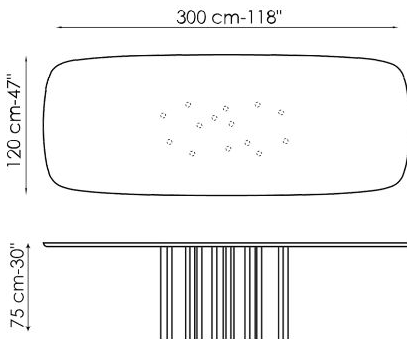
Width: 180cm
Depth: 180cm
Height: 75cm



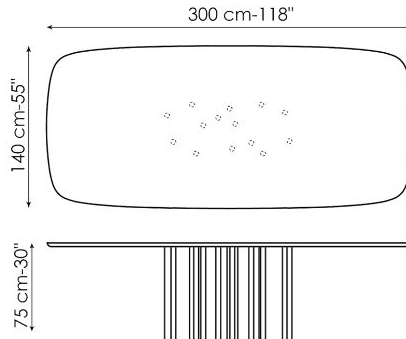
Width: 200cm
Depth: 108cm
Height: 75cm



Width: 250cm
Depth: 112cm
Height: 75cm



Width: 300cm
Depth: 120cm
Height: 75cm

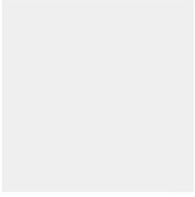


Width: 300cm
Depth: 140cm
Height: 75cm

Finishes

TOP

Transparent Glass



Glass
Transparent



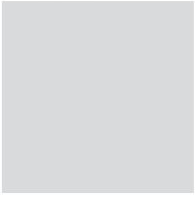
Glass
Bronzed



Glass
Smoked

BASE

Special Metal

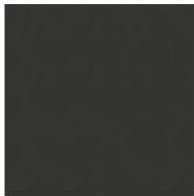


Metal finish
Chromed

Plus Metal



Painted metal
Mat bronze



Painted metal
Mat lead

Materials, fabrics, leathers, colors and finishes are approximate and may slightly differ from actual ones. You can find the complete collection of Bonaldo fabrics and leathers on the website

