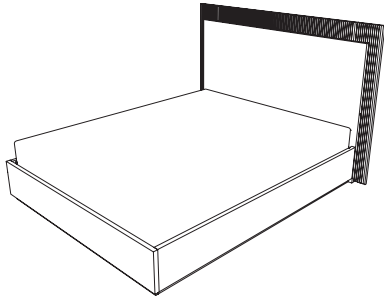
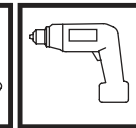
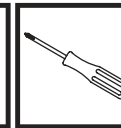
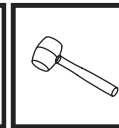

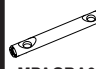










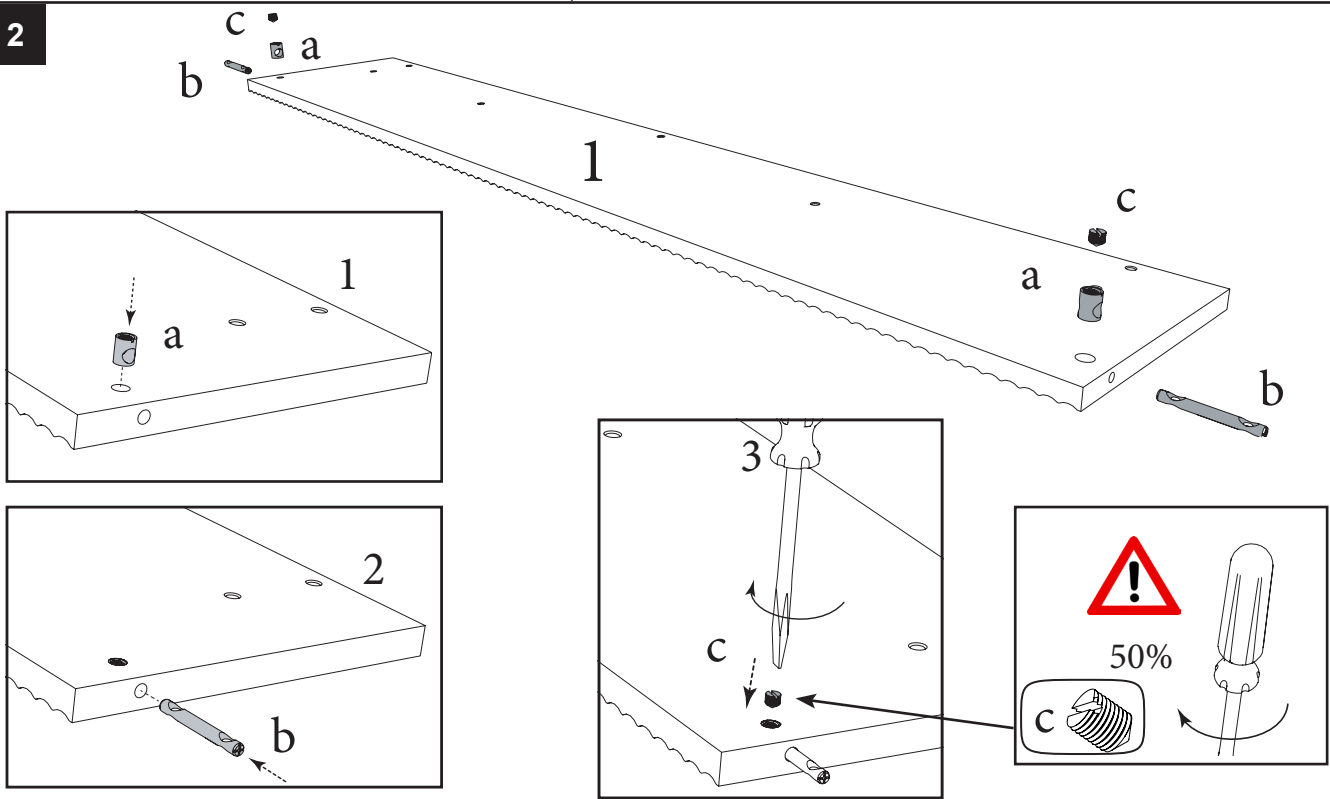
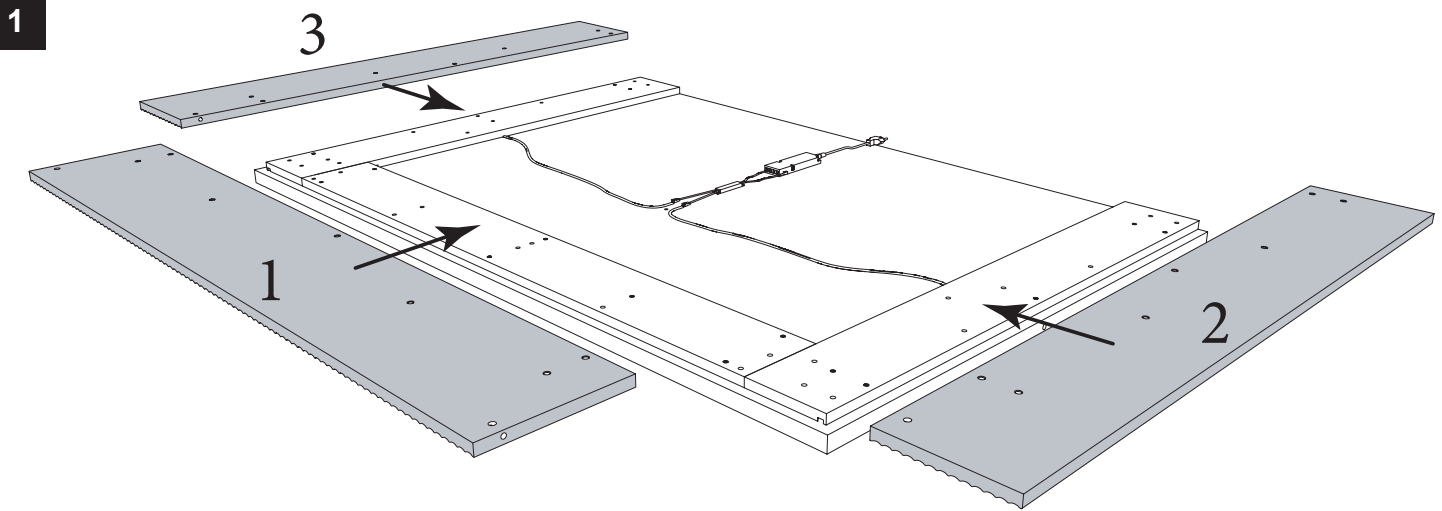
ONYX

LETTO ONYX
BED ONYX

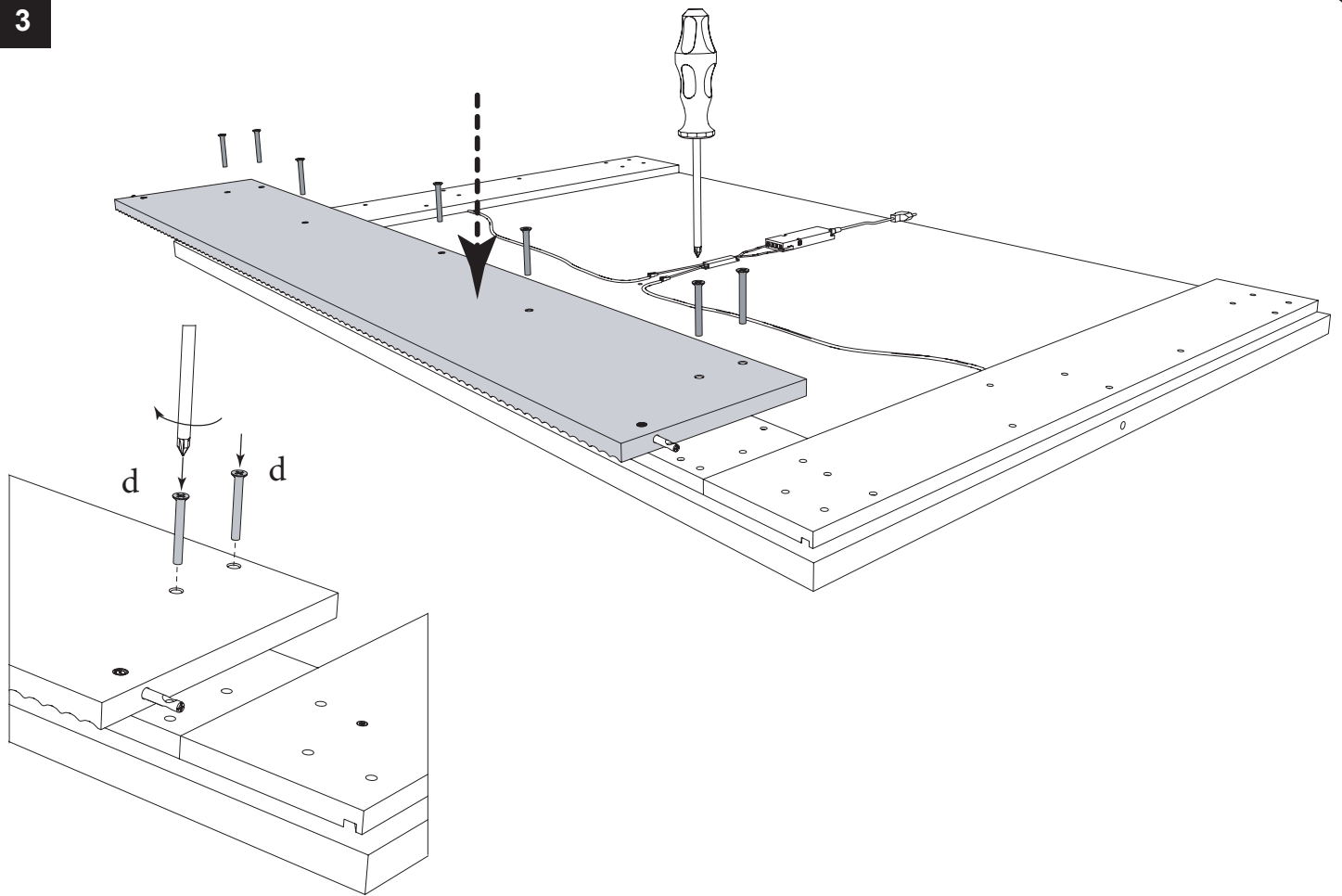


LETTO ONYX

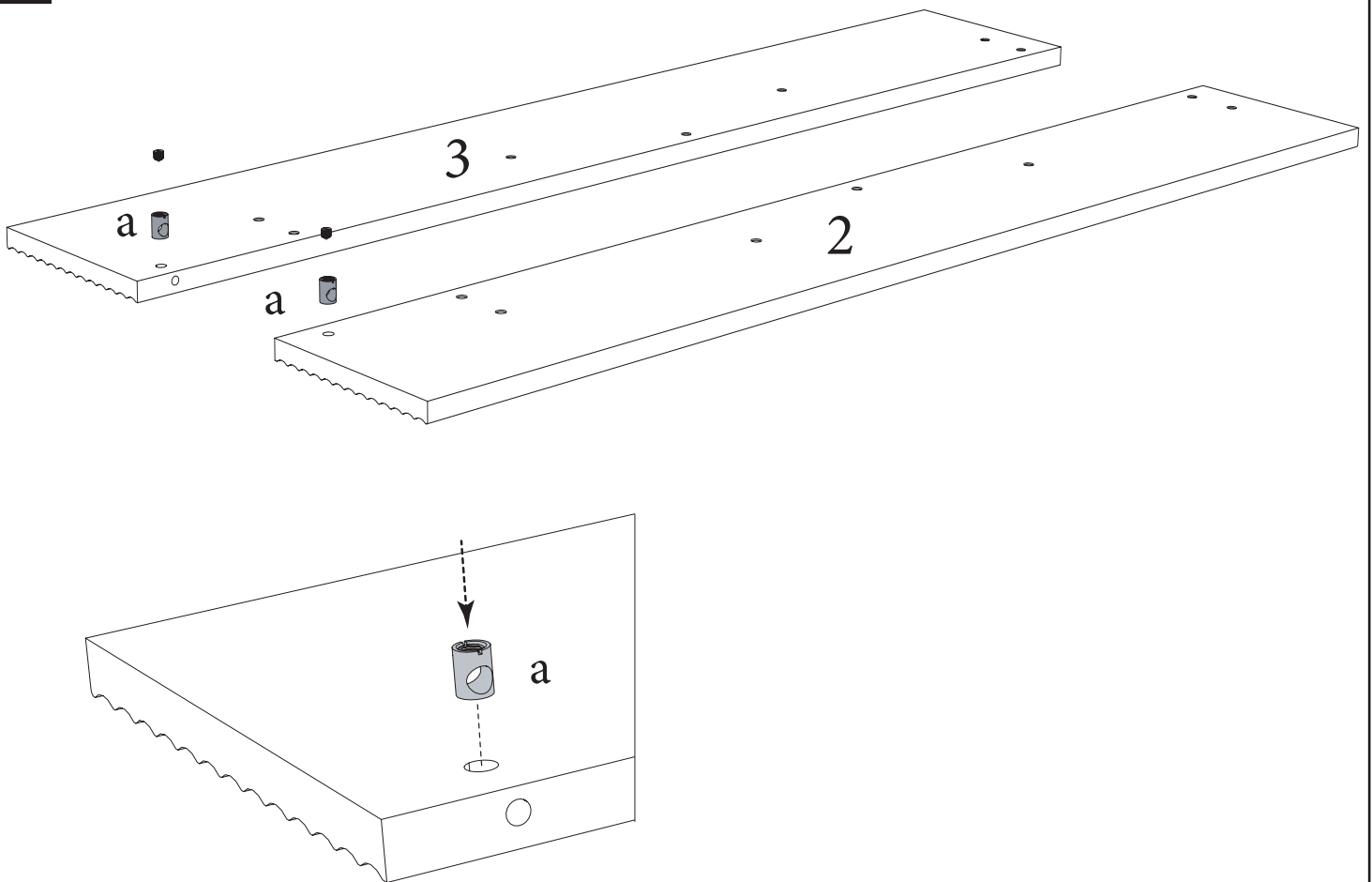
| | | | | |
|---|---|---|--|---|
| a (x4)  MPAGBA045 | b (x2)  MPAGBA014 | c (x4)  MPAGBA046 | d (x21)  TSP M6X55 | e (x21)  MPXCOP28 |
| f (x4)  MPXSLE20 | g (x24)  TBL M6x15 | h (x4)  70x70 | i (x2)  100x40 | l (x2)  MPXVAR177 |

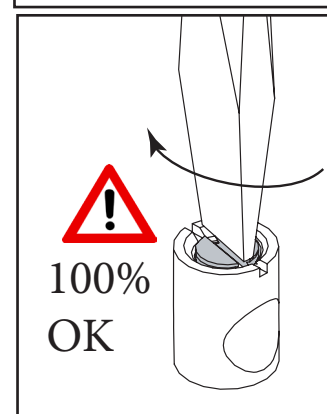
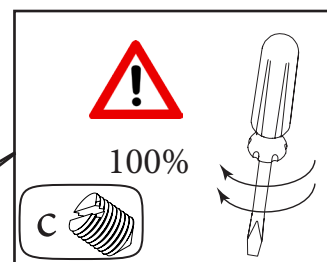
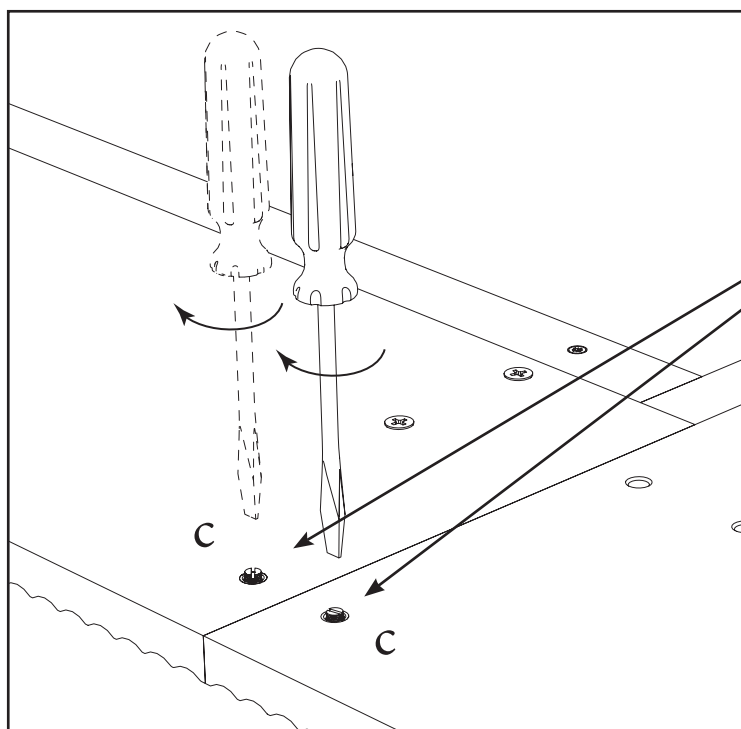
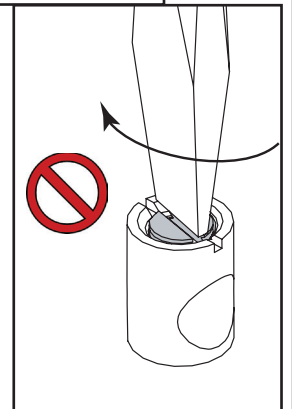
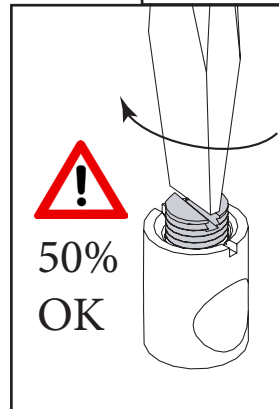
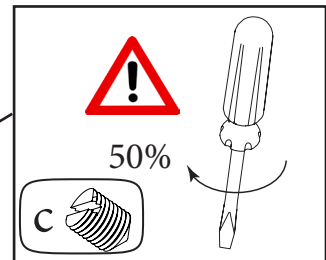
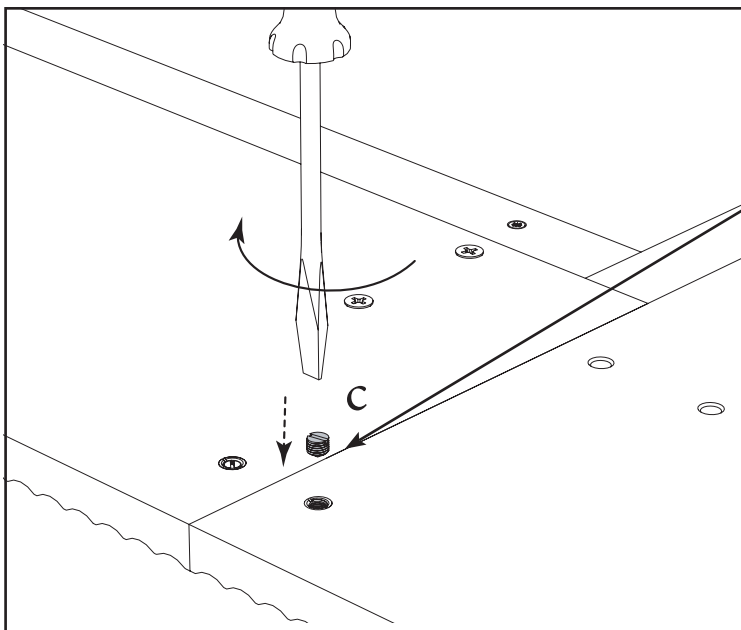
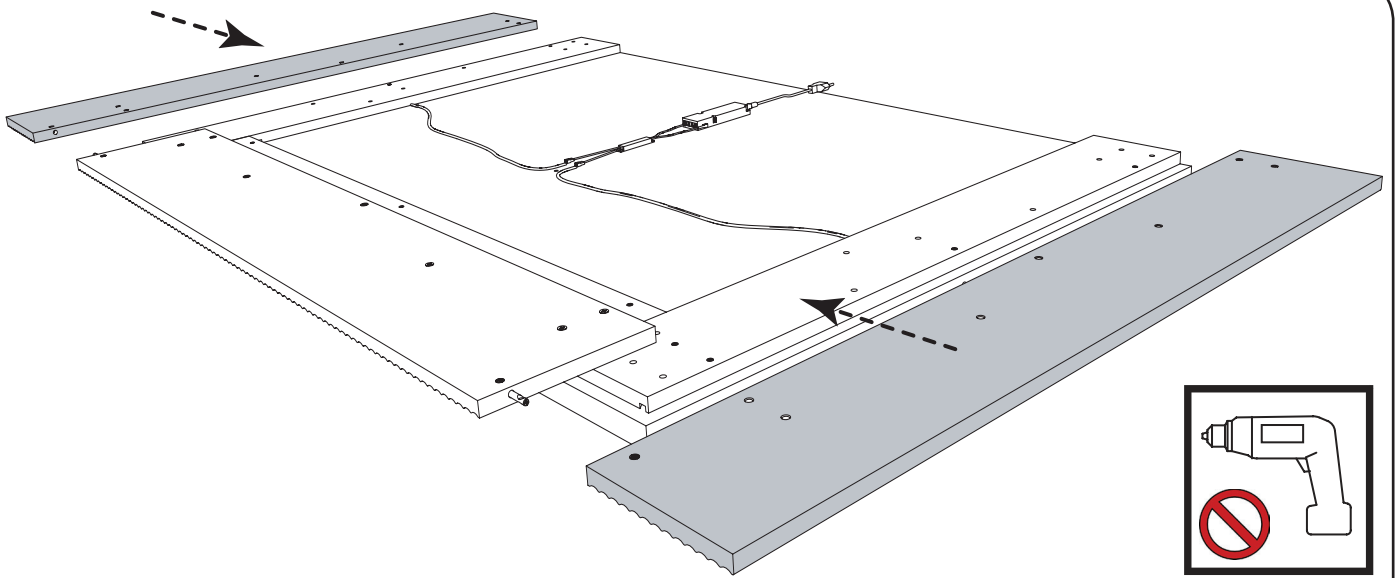


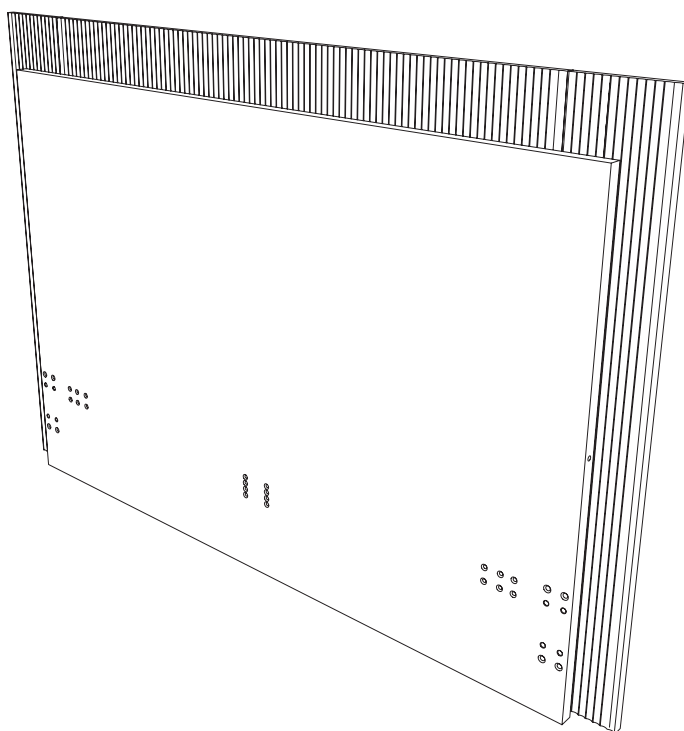
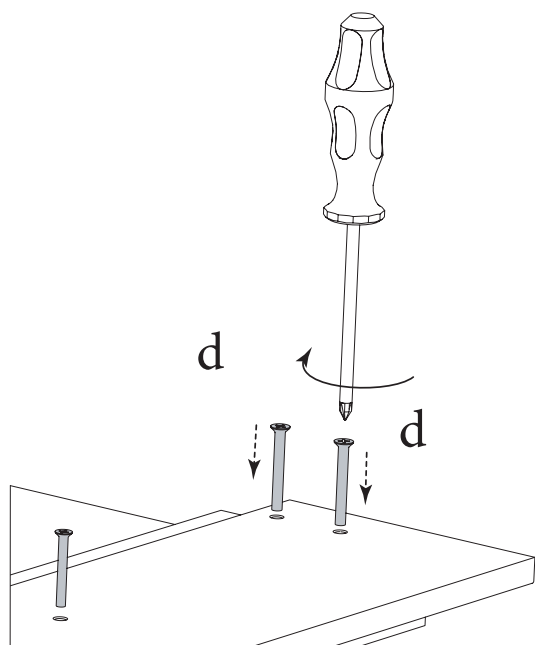
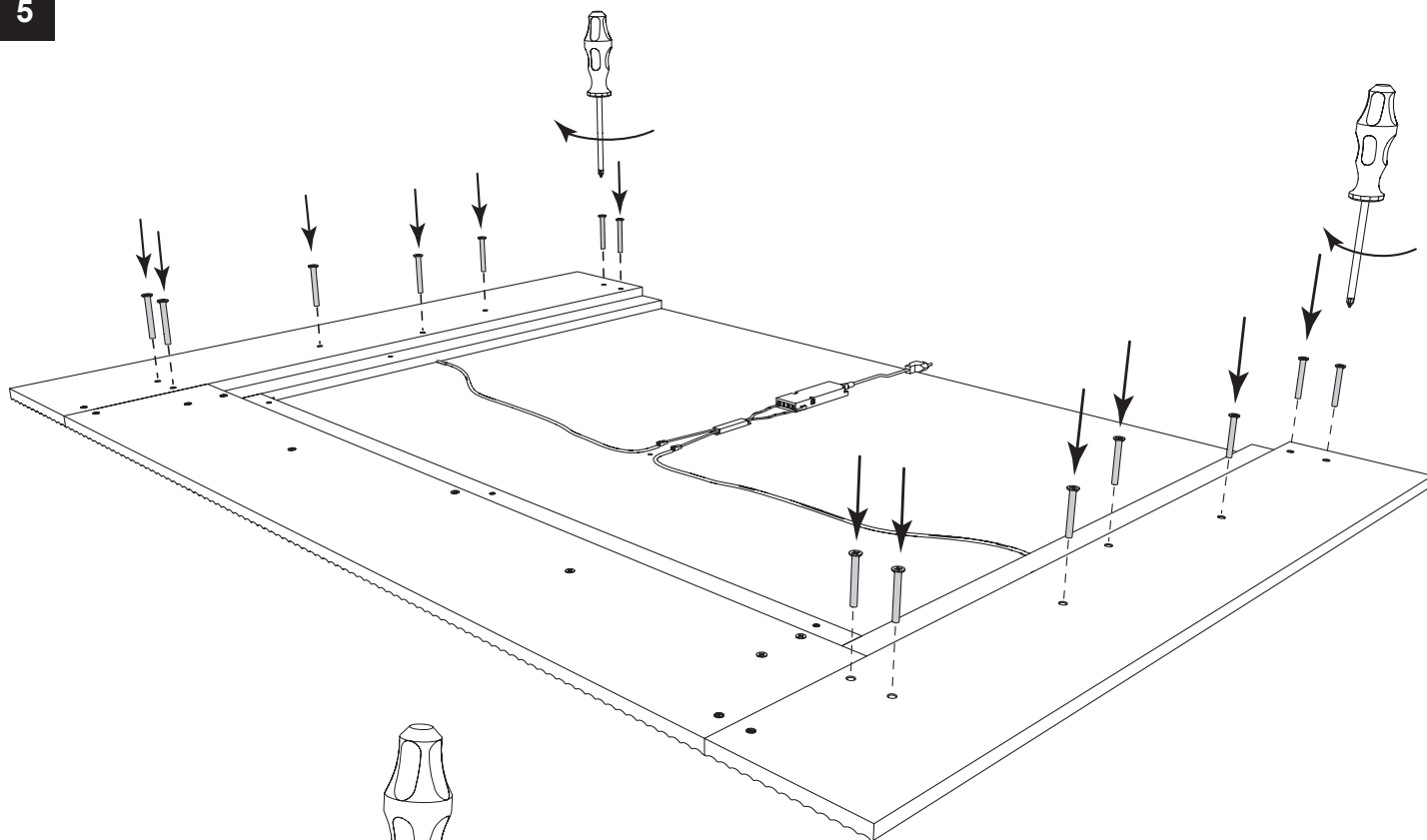
3



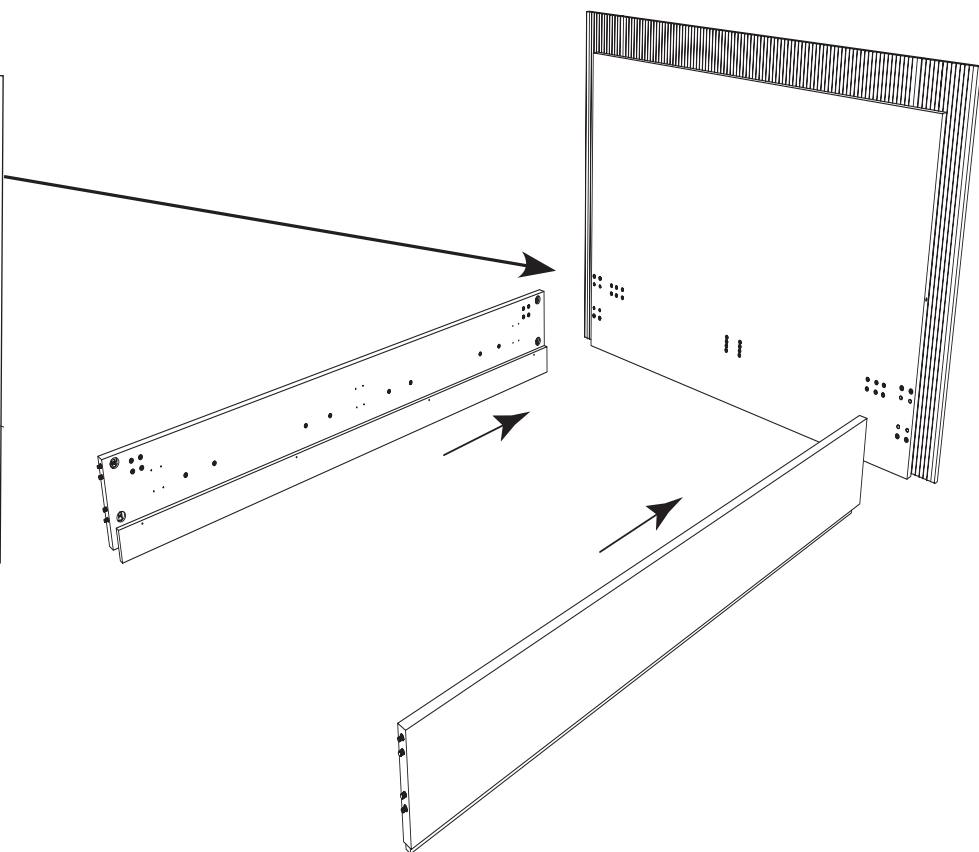
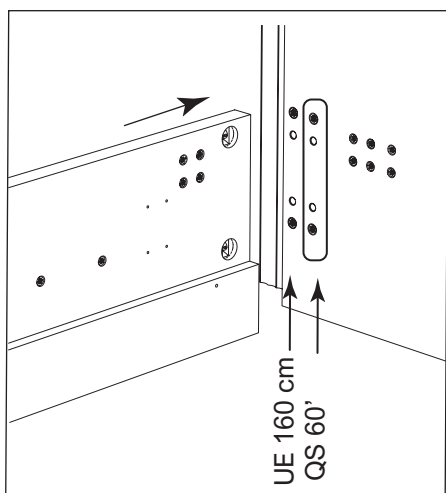
4



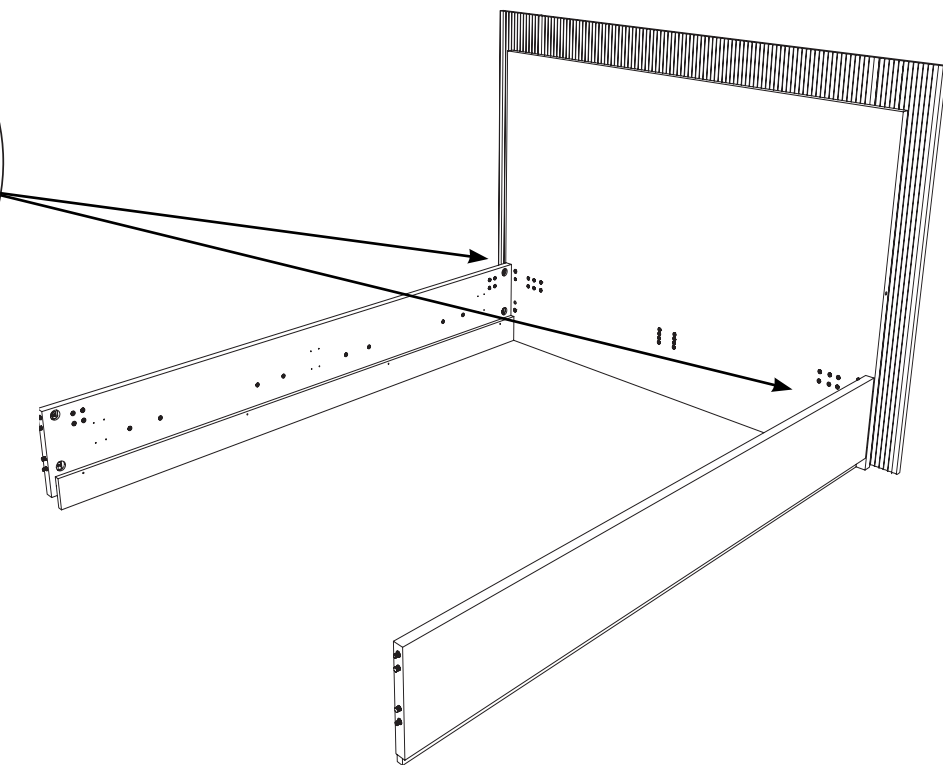
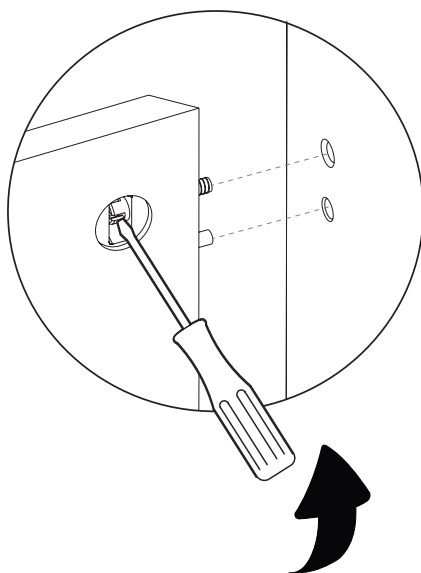


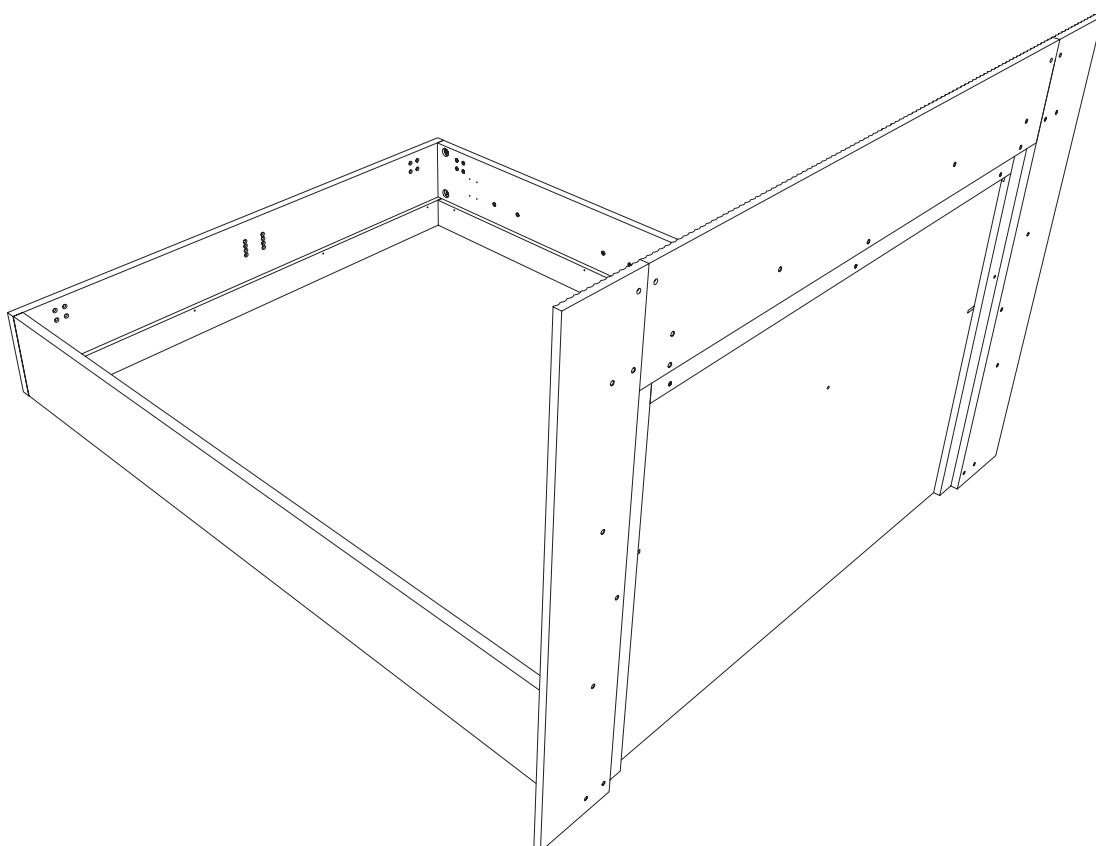
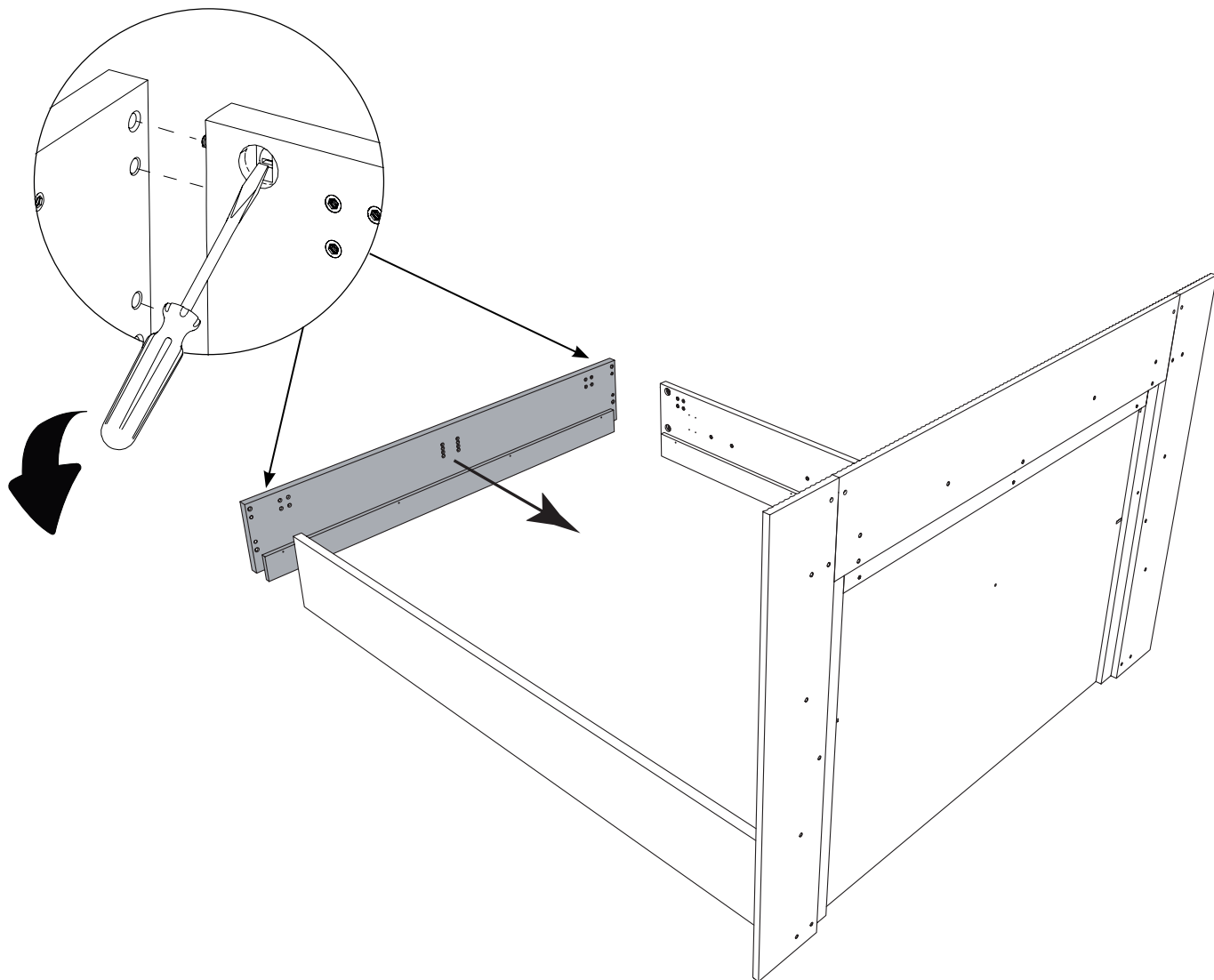


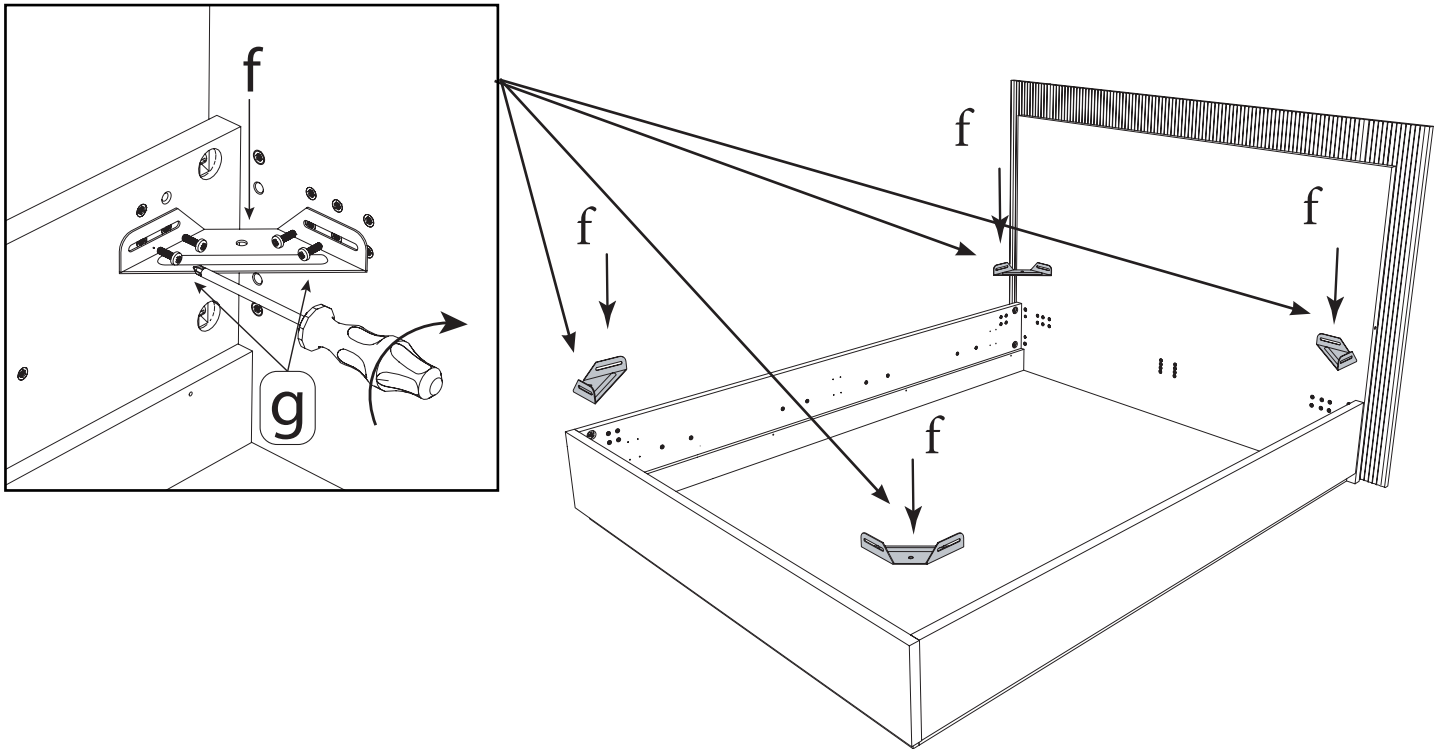
7



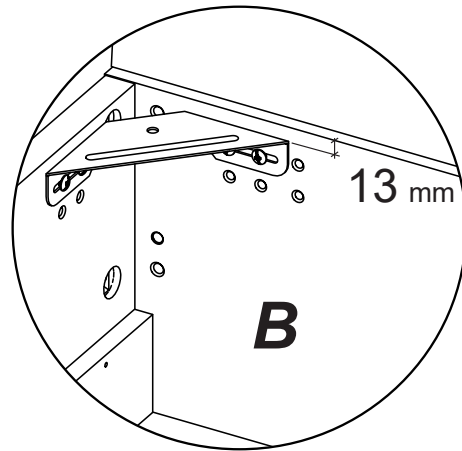
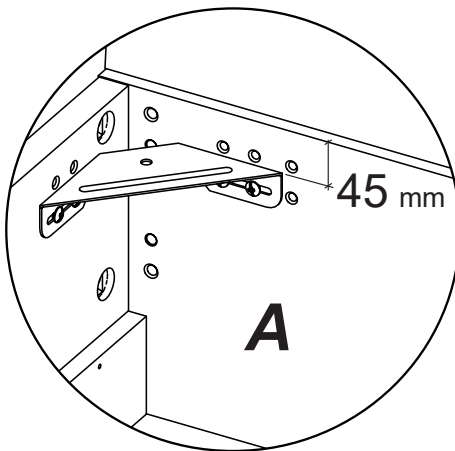
8



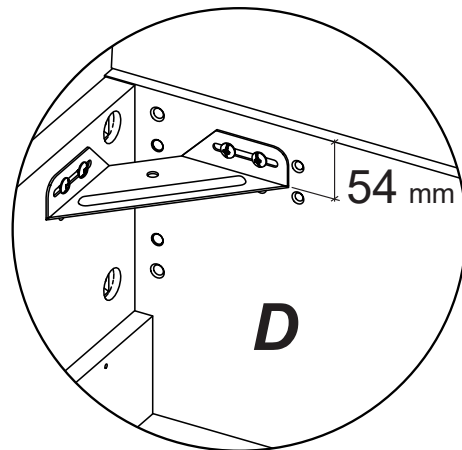
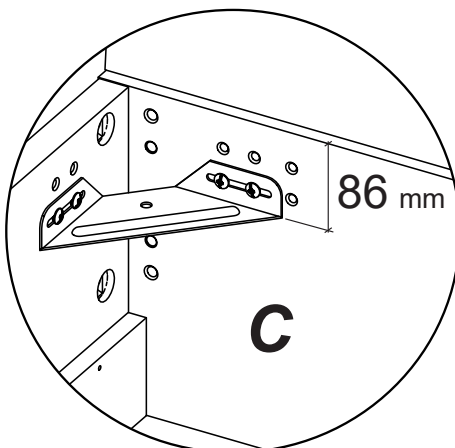


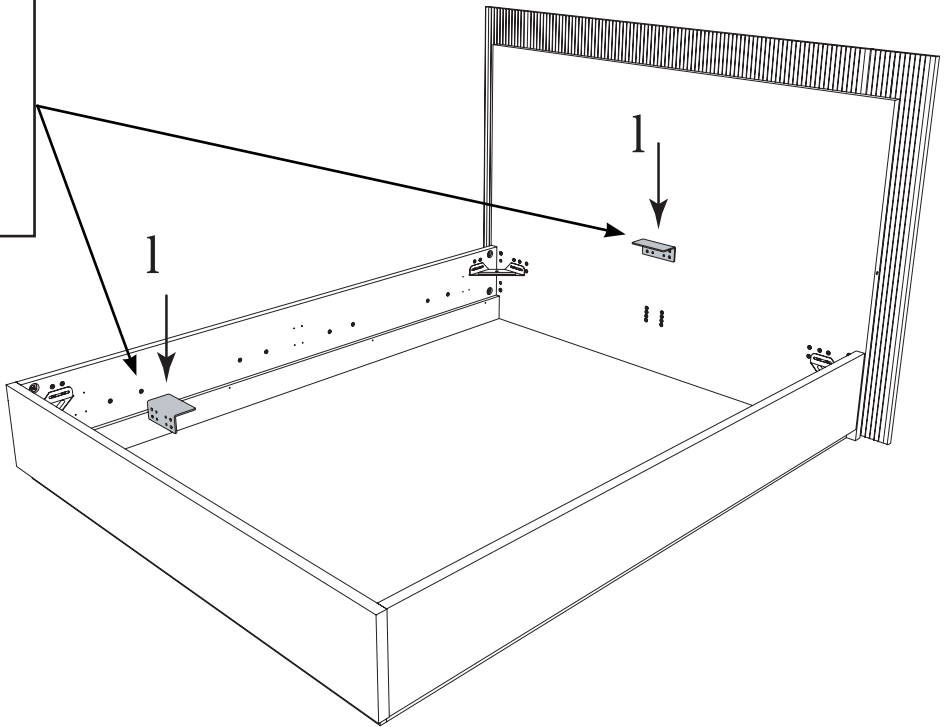
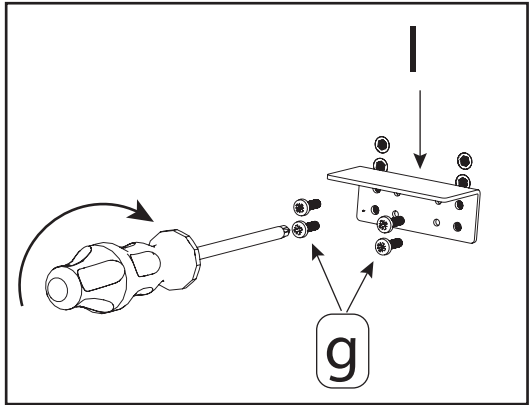


Metal corners in standard position with 2 different depth for mattress

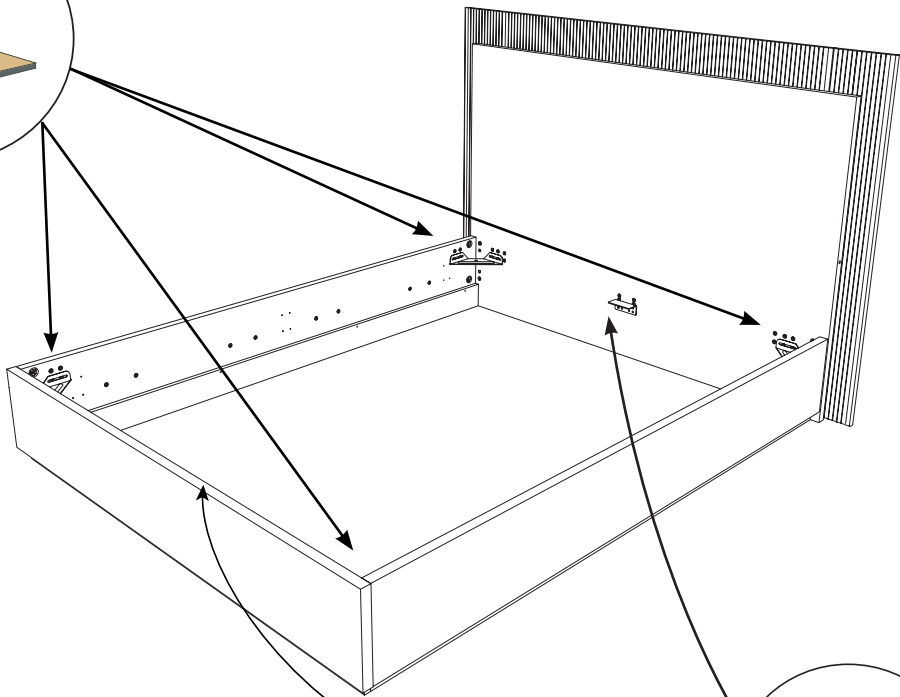
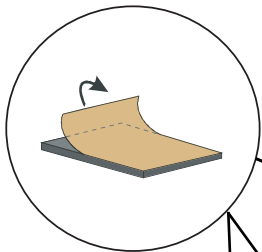


Metal corners in upside down position with 2 different depth for mattress





h=70x70



i=100x40