

BONALDO

Kasumi

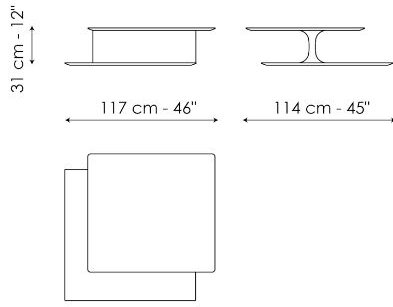


Clearly inspired by Japanese style, Kasumi is a new coffee table whose form calls to mind the outdoor stage used for Noh, the ancient traditional Japanese theatre. Structurally, the essential design of the Kasumi Japanese coffee table features two flat surfaces, a larger lower piece and a smaller offset

upper section which are connected by a vertical supporting element whose sinuous shapes soften the geometric rigour of the two flat tops. Remaining faithful to its source of inspiration, Kasumi strikes the observer as a genuine stage on which to present objects.



Data sheet



Kasumi

Width: 117cm

Depth: 114cm

Height: 31cm

Finishes

FRAME

Wood



Veneered wood
Coal ash

Materials, fabrics, leathers, colors and finishes are approximate and may slightly differ from actual ones. You can find the complete collection of Bonaldo fabrics and leathers on the website

