

# BONALDO

## Twigs

Designer: **Marconato and Zappa**

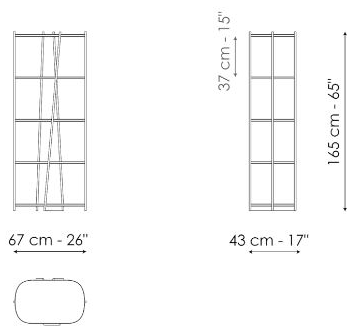


The design of the Twigs bookcase plays on the alternation between geometric order and natural randomness. Order is indicated by the regular rhythm of the horizontal wooden shelves, while the element of randomness is established by the supporting structure formed by thin metal tubes arranged

with an irregular cadence and inclination which calls to mind the image of reeds moved by the wind. Thanks to its eclectic style, this modern bookcase designed by Marconato & Zappa can be used in the most informal furnishing contexts.



# Data sheet

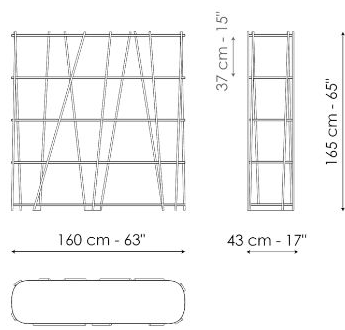


## Twigs 67

Width: 67cm

Depth: 43cm

Height: 165cm



## Twigs 160

Width: 160cm

Depth: 43cm

Height: 165cm

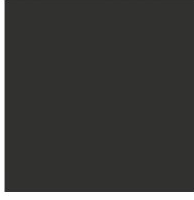
# Finishes

## SHELVES

Wood



**Lacquered wood**  
Mat bronze



**Lacquered wood**  
Mat lead



**Lacquered wood**  
Mat bordeaux

---

## FRAME

Metal

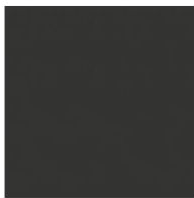


**Painted metal**  
Mat bordeaux

Plus Metal



**Painted metal**  
Mat bronze



**Painted metal**  
Mat lead



Materials, fabrics, leathers, colors and finishes are approximate and may slightly differ from actual ones. You can find the complete collection of Bonaldo fabrics and leathers on the website

