

Phil<sup>new</sup>

Design: Gordon Guillaumier

Kitchen

FSC™ certified product



Material



Natural Teak + Metal Olive Green



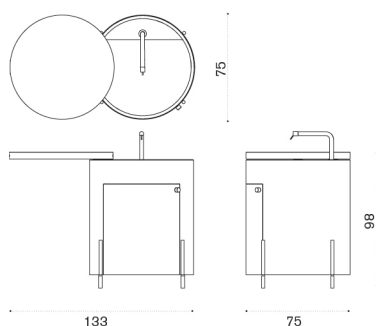
Natural Teak + Metal Sepia Black

Rain cover



Ethi-Care

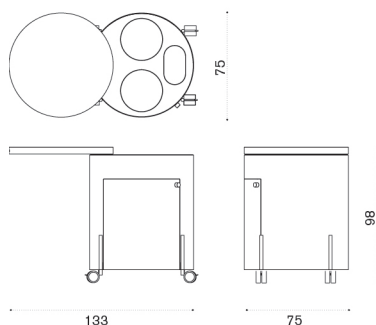
## Kitchen sink module



→ 93 | 1 box 80X80X115H 97 Kg

| Item     | Description                                 |
|----------|---|
| PILVD38  | Metal olive green + Teak + Sink in Concrete |
| PILVD48  | Metal sepia black + Teak + Sink in Concrete |
| COVER805 | Rain cover Ø78 h95                          |

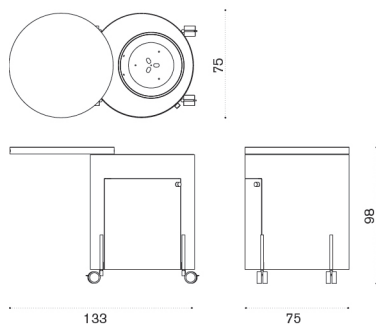
## Induction cooktop module



→ 105 | 1 box 80X80X115H 109 Kg

|          |  |
|----------|--|
| PIIND38  | Metal olive green + Teak + Marble top Nero |
| PIIND48  | Metal sepia black + Teak + Marble top Nero |
| COVER805 | Rain cover Ø78 h95                         |

## Brazier grill module



→ 102 | 1 box 80X80X115H 106 Kg

|          |  |
|----------|--|
| PIBRD38  | Metal olive green + Teak + Marble top Nero |
| PIBRD48  | Metal sepia black + Teak + Marble top Nero |
| COVER805 | Rain cover Ø78 h95                         |