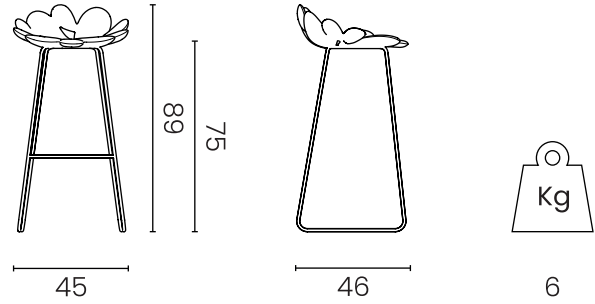
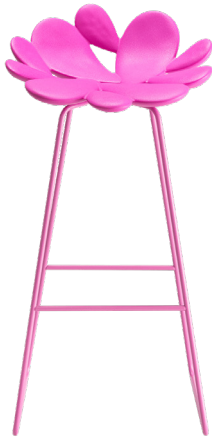


Filicudi Stool

DESIGN MARCANTONIO, 2024

Seat in batch coloured recycleable polyethylene sustained by a 12mm tubular powder coated frame. Suitable for indoor and outdoor locations. Seat and backrest resistance to fatigue and load tested in accordance with UNI EN standards.



Materials

Seat: Batch coloured polyethylene
 Frame: Powder coated steel



Conformity: EN 1728:2012+AC:2013 par. 6.17
 EN 16139:2013+AC:2013 tab.1

Packaging

No. of parcels: 1
 Weight (kg): 8
 Volume (m³): 0.2
 Dimensions (LxWxH): 46.5 x 47.5 x 92 cm

Product use: Indoor and outdoor

Made in Italy

