

# **BONALDO**

## Bardot

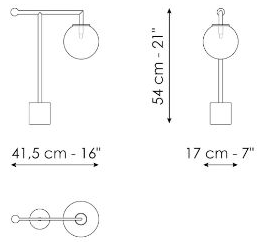


Spherical elements are paired with squared silhouettes to create Bardot, the design lamp which, like its namesake actress, symbolises timeless beauty thanks to its refined geometric structure. The lamp is enhanced by the stand and globe in metal, for which the precious matt brass finish has been chosen; the wide lampshade consists of a transparent glass globe that allows maximum brightness. Bardot stands

out on account of its thin support stem, available in the elegant lead or bronze finishing, which combines perfectly with the other components of the lamp. The collection, consisting of a design table lamp and two floor lamps with different heights, makes it possible to create interesting coordinated environments.

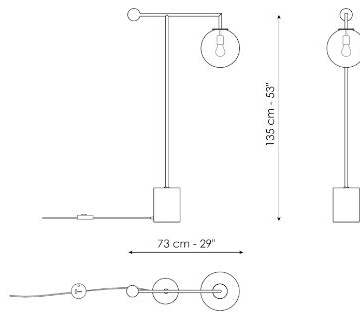


# Data sheet



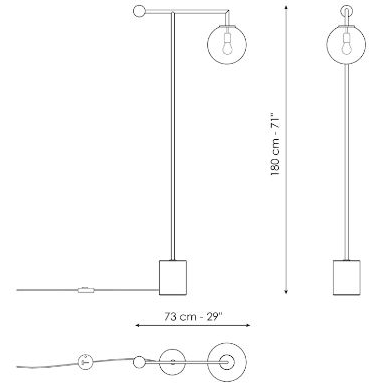
## Table lamp

Width: 17cm  
Depth: 41.5cm  
Height: 54cm



## Floor lamp H 135 cm

Width: 25cm  
Depth: 73cm  
Height: 135cm



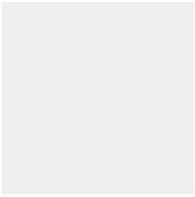
## Floor lamp H 180 cm

Width: 25cm  
Depth: 73cm  
Height: 180cm

# Finishes

## LAMPSHADE

Transparent Glass



**Glass**  
Transparent

---

## FRAME

Plus Metal



**Painted metal**  
Mat bronze



**Painted metal**  
Mat lead



**Painted metal**  
Mat brass

---

Materials, fabrics, leathers, colors and finishes are approximate and may slightly differ from actual ones. You can find the complete collection of Bonaldo fabrics and leathers on the website

