

BONALDO

Asia

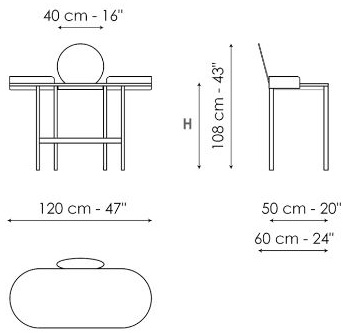


The Asia model is a multifunctional piece of furniture. It can turn from a desk into a vanity table with the addition of a mirror. The top features only rounded lines, and it is available in either marble or ceramic, while the structure base is made

of metal. The idea behind the modern writing desk is a blend of form and function, a stylistic sophistication expressed through a daily commitment to harmony.



Data sheet

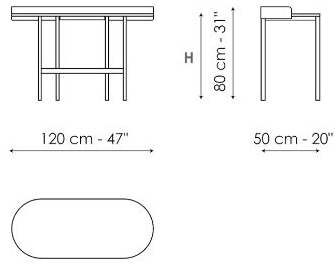


Asia - vanity

Width: 120cm

Depth: 60cm

Height: 108cm



Asia - home office

Width: 120cm

Depth: 50cm

Height: 80cm

Finishes

TOP

Marble



Marble
Calacatta



Marble
Carrara



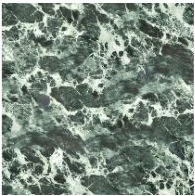
Marble
Emperador



Marble
Marquina



Marble
Rosso Carpazi



Marble
Saint Denis



Marble
Fior di bosco

Ceramic



Silk finish ceramic
Calacatta macchia
vecchia



Mat ceramic
Laurent

STRUCTURE

Plus Metal



Painted metal
Mat bronze



Painted metal
Mat lead



Painted metal
Mat pearl gold

Materials, fabrics, leathers, colors and finishes are approximate and may slightly differ from actual ones. You can find the complete collection of Bonaldo fabrics and leathers on the website

