

# BONALDO

## Lock

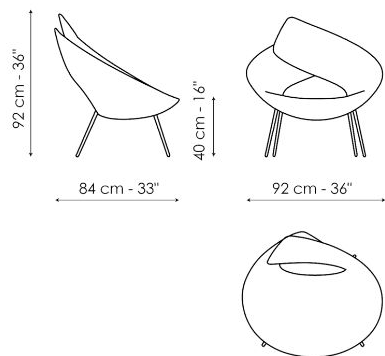


"I think the feeling of safety is something we seek everywhere. It is what distinguishes a welcoming and familiar setting, such as one's home, making it different from any other place," comments Alessandro Busana, designer of the Lock armchair. A furnishing element where the person takes the center stage, which develops around the user through a padded strip that folds onto itself in order to form a backrest.

The upholstery, in fabric, eco-leather or leather, is fully removable and is available in one-colour or two-colour (different for the front part of the seat and the backrest) versions. For the lower part of the armchair, in painted metal, one can opt for four thin legs or for an original swivel base. The Lock ego version with quilting is also available.

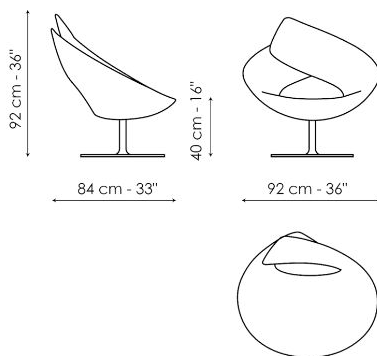


# Data sheet



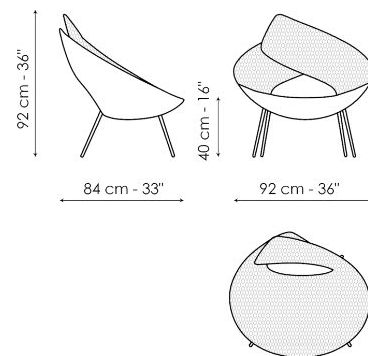
## Lock

Width: 92cm  
Depth: 84cm  
Height: 92cm



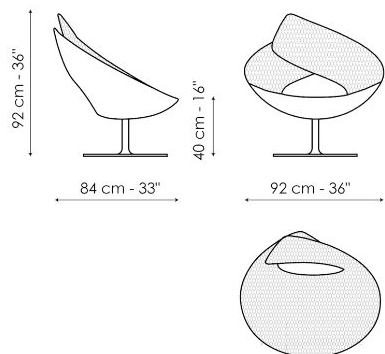
## Lock swivel base

Width: 92cm  
Depth: 84cm  
Height: 92cm



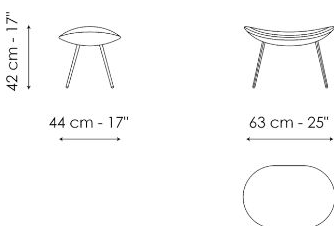
## Lock ego

Width: 92cm  
Depth: 84cm  
Height: 92cm



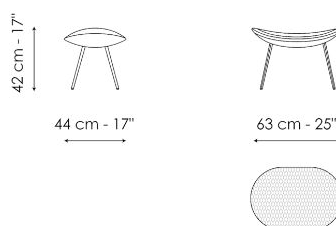
## Lock ego swivel base

Width: 92cm  
Depth: 84cm  
Height: 92cm



## Footrest

Width: 63cm  
Depth: 44cm  
Height: 44cm



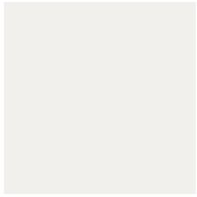
## Footrest ego

Width: 63cm  
Depth: 44cm  
Height: 44cm

# Finishes

## BASE

### Metal



**Painted metal**  
Mat white



**Painted metal**  
Mat dove grey



**Painted metal**  
Supreme anthracite

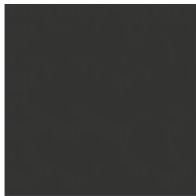


**Painted metal**  
Mat black

### Plus Metal



**Painted metal**  
Mat bronze



**Painted metal**  
Mat lead



**Painted metal**  
Mat copper



**Painted metal**  
Mat brass



**Painted metal**  
Mat pearl gold

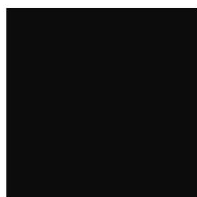
### Special Metal



**Metal finish**  
Clouded chrome



**Metal finish**  
Brown nickel



**Metal finish**  
Dark nickel

