

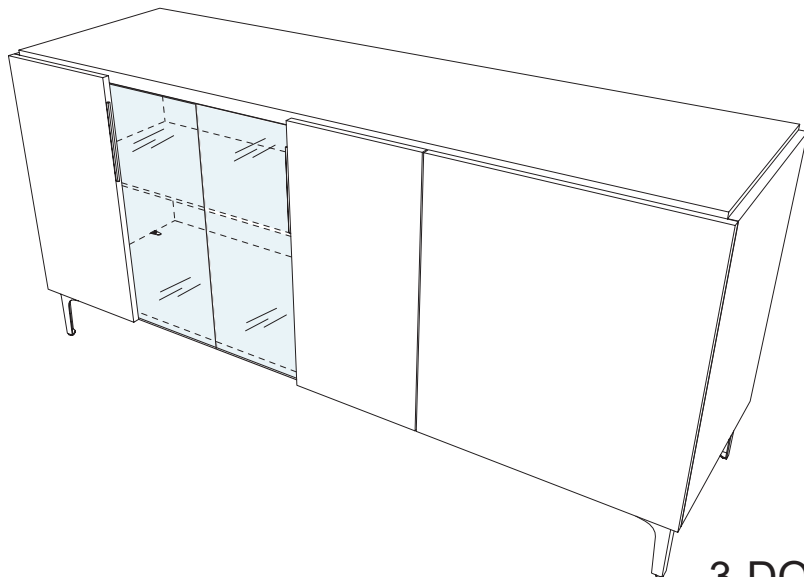
# LUSSO DAY



YOU TUBE

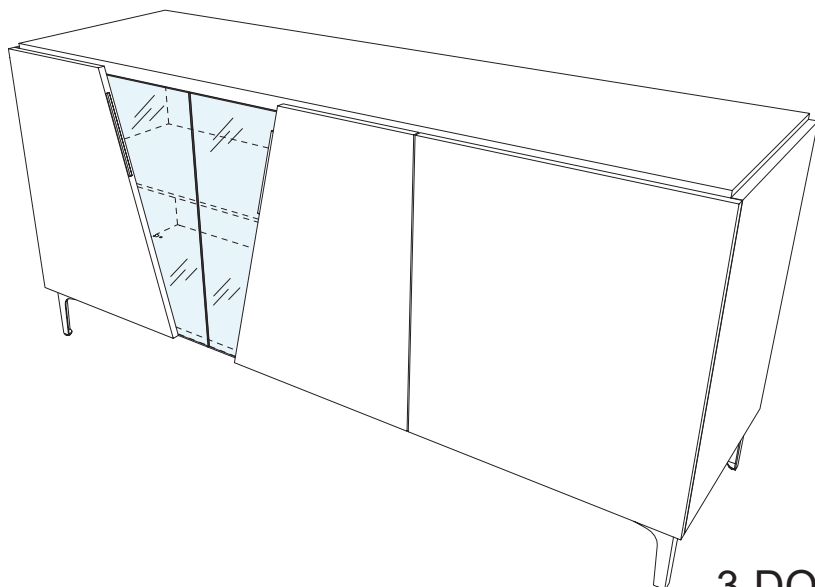


WEB SITE



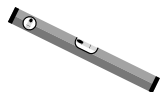
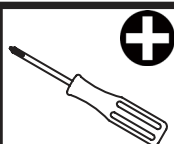
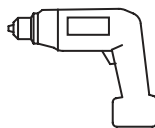
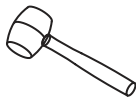
3-DOOR BUFFET

# FIDIA DAY

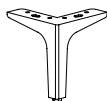


3-DOOR BUFFET

50 min.

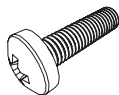


**a** (x4)



**MPXPZO109**

**b** (x12)



**TBL M6x15**

**c** (x1)



**MPXPZO110**

**d** (x16)



**MPXVAR37**

**e** (x4)



**MPARVV16**

**f** (x4)



**MPARVV17**

**g** (x4)



**TSP Ø 3,5x20**

**h** (x4)



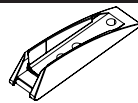
**MPARLL029**

**i** (x16)



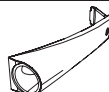
**TSP Ø 3.5x16**

**k** (x1)



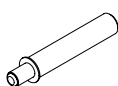
**MPXFER66**

**l** (x1)



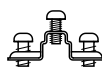
**MPXFER67**

**m** (x1)



**MPXFER69**

**n** (x6)



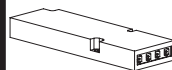
**MPC04BA04**

**o** (x6)



**MPC04CL05**

**p** (x1)



**MPKFID03**

**q** (x6)



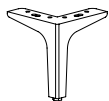
**MPKFER04**

**r** (x1)



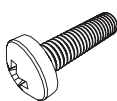
1

**a** (x4)



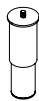
**MPXPZO109**

**b** (x12)

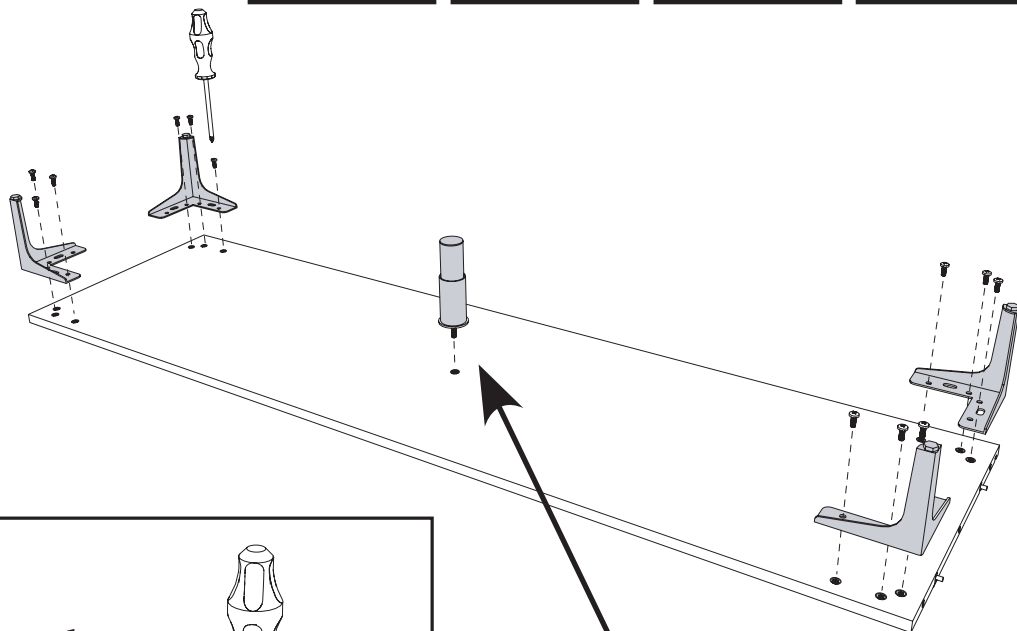
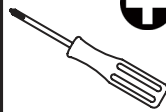


**TBL M6x15**

**c** (x1)

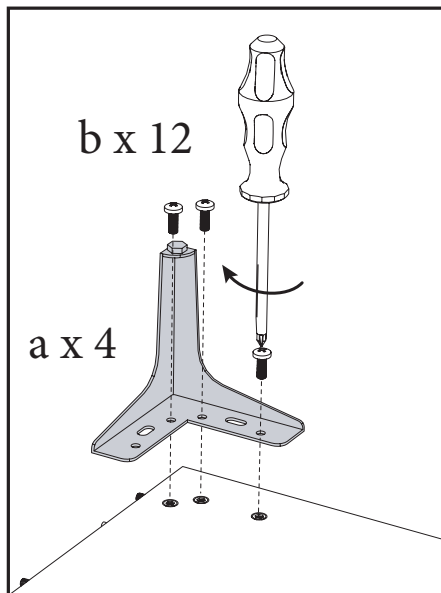


**MPXPZO110**

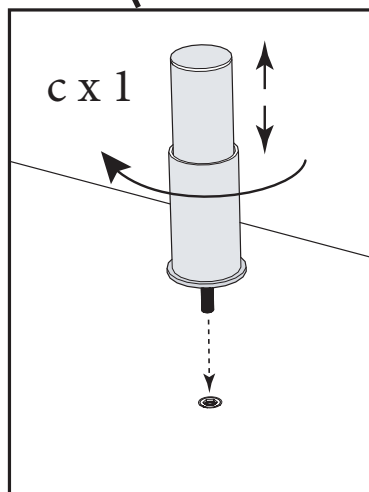


**b x 12**

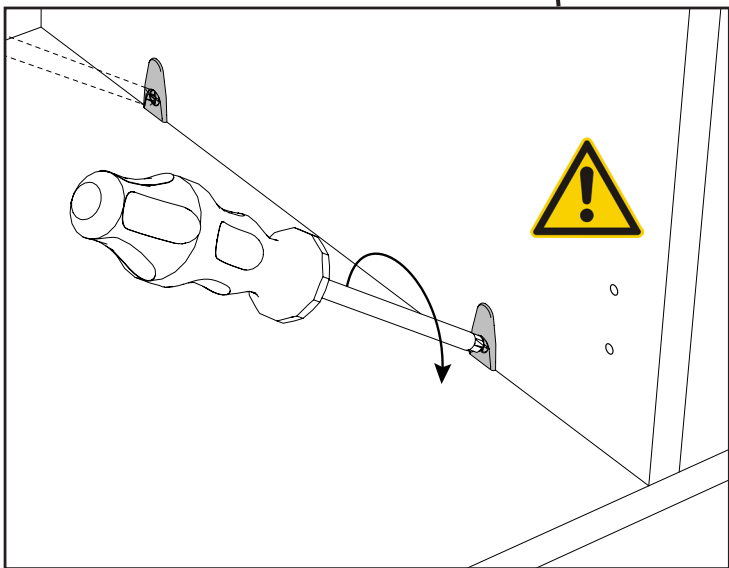
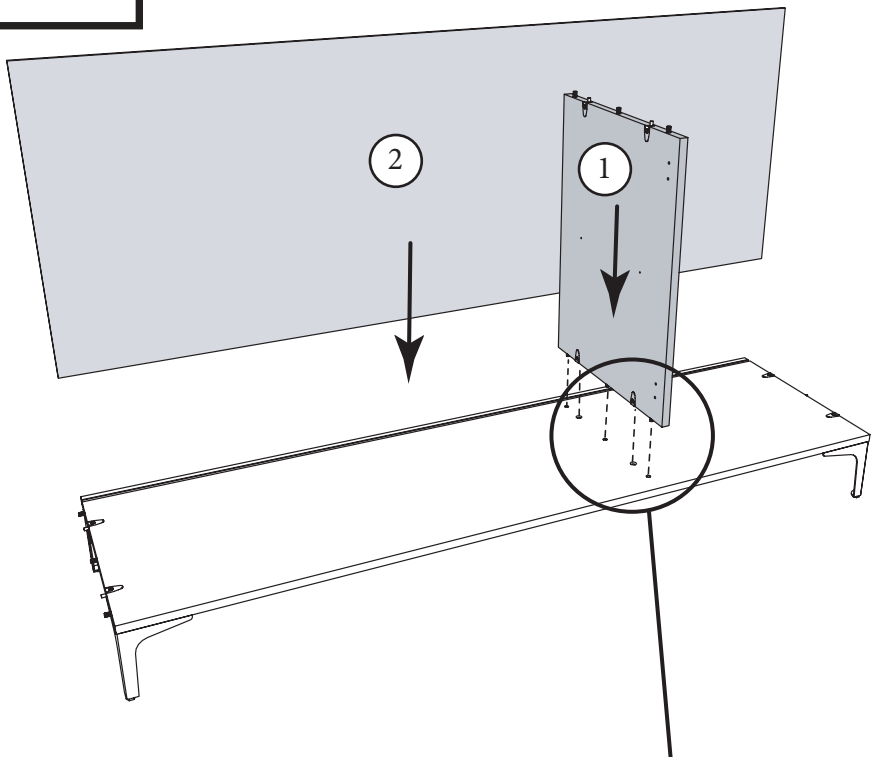
**a x 4**



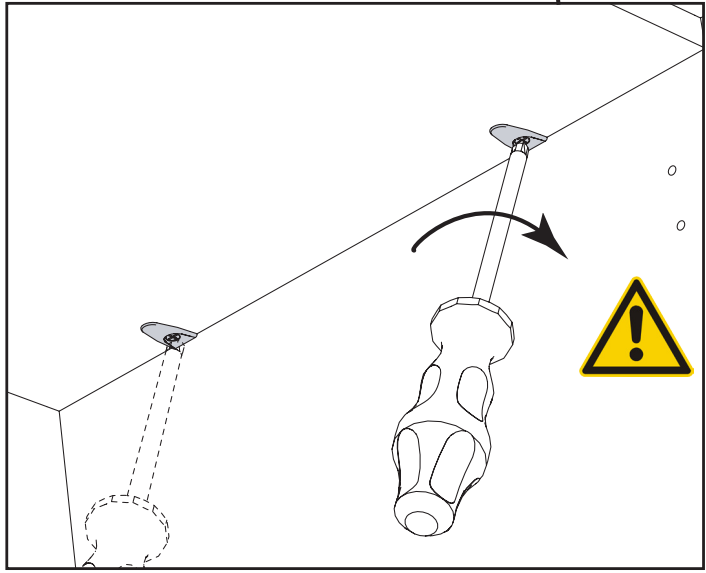
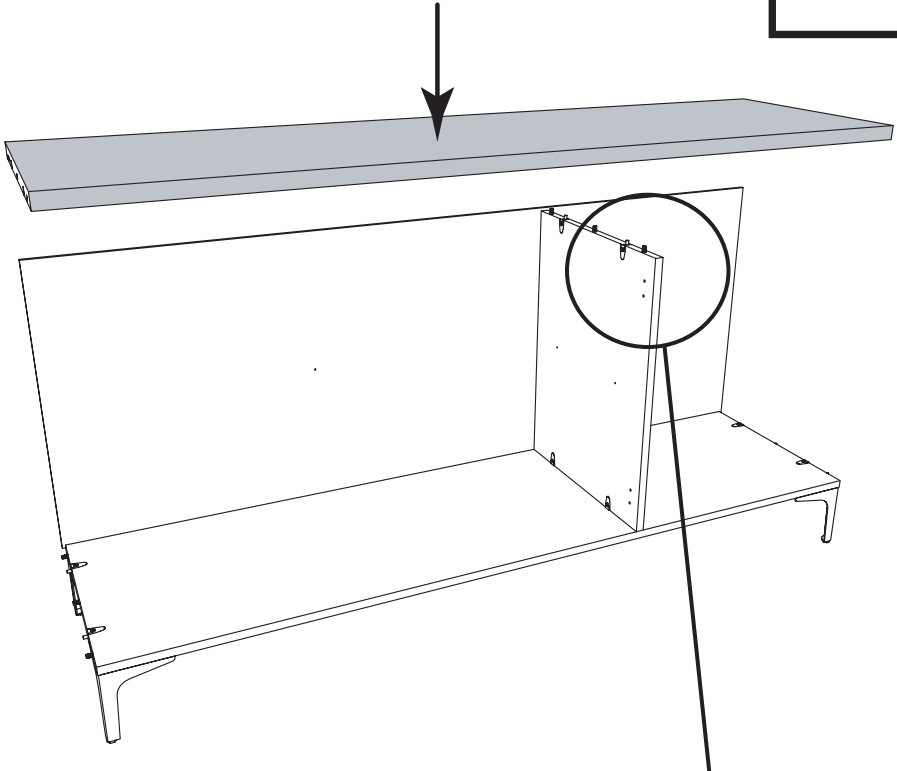
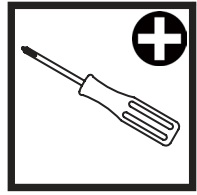
**c x 1**



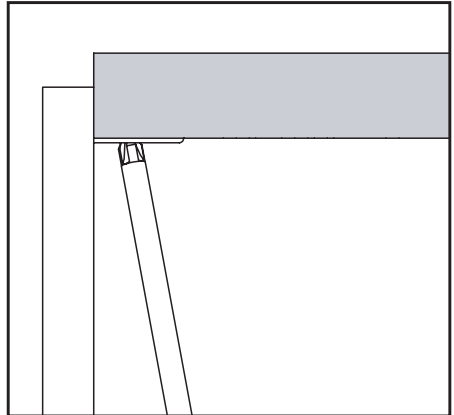
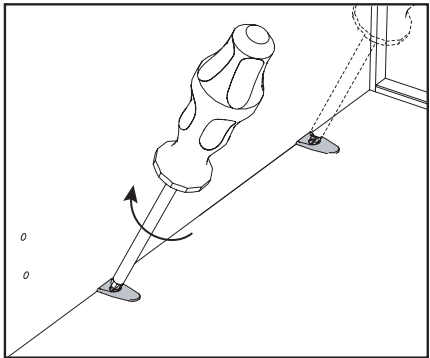
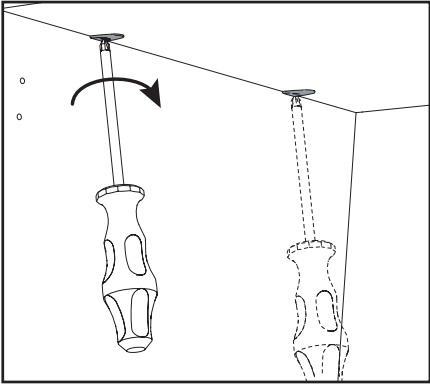
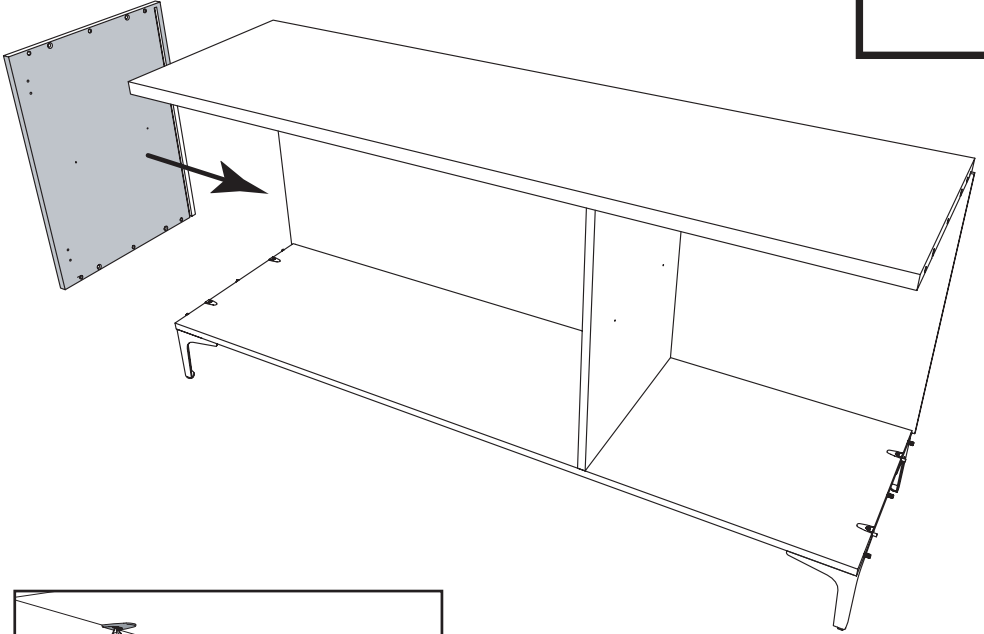
2



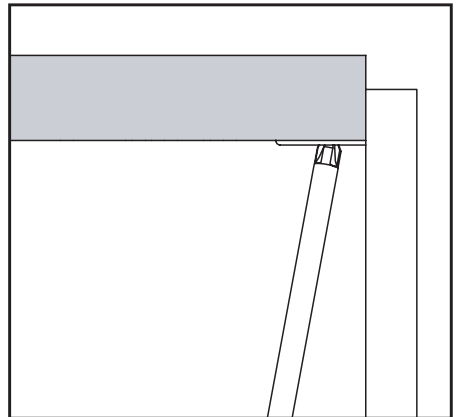
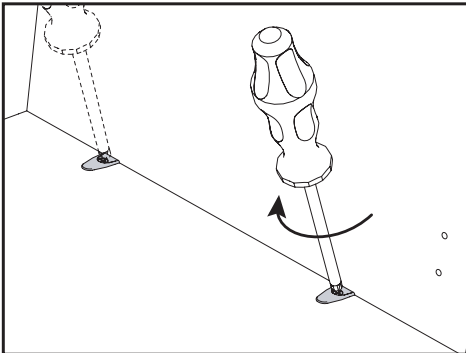
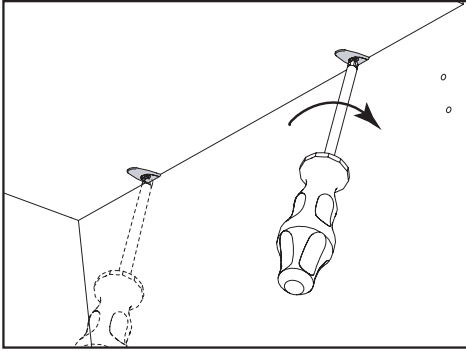
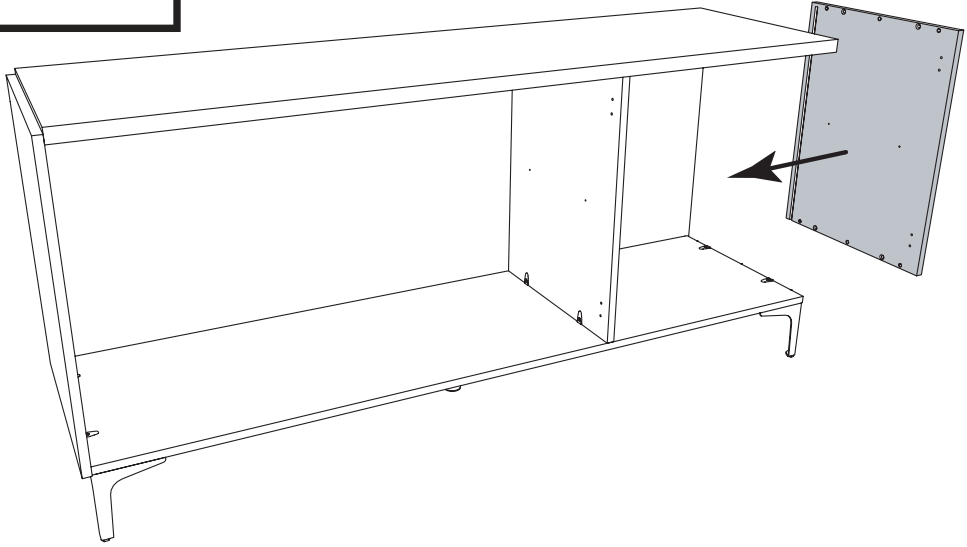
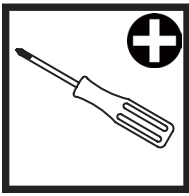
3



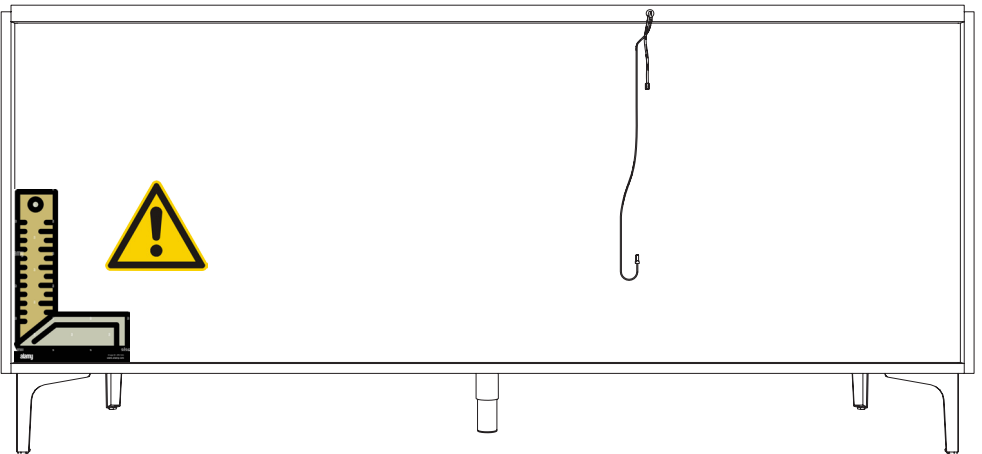
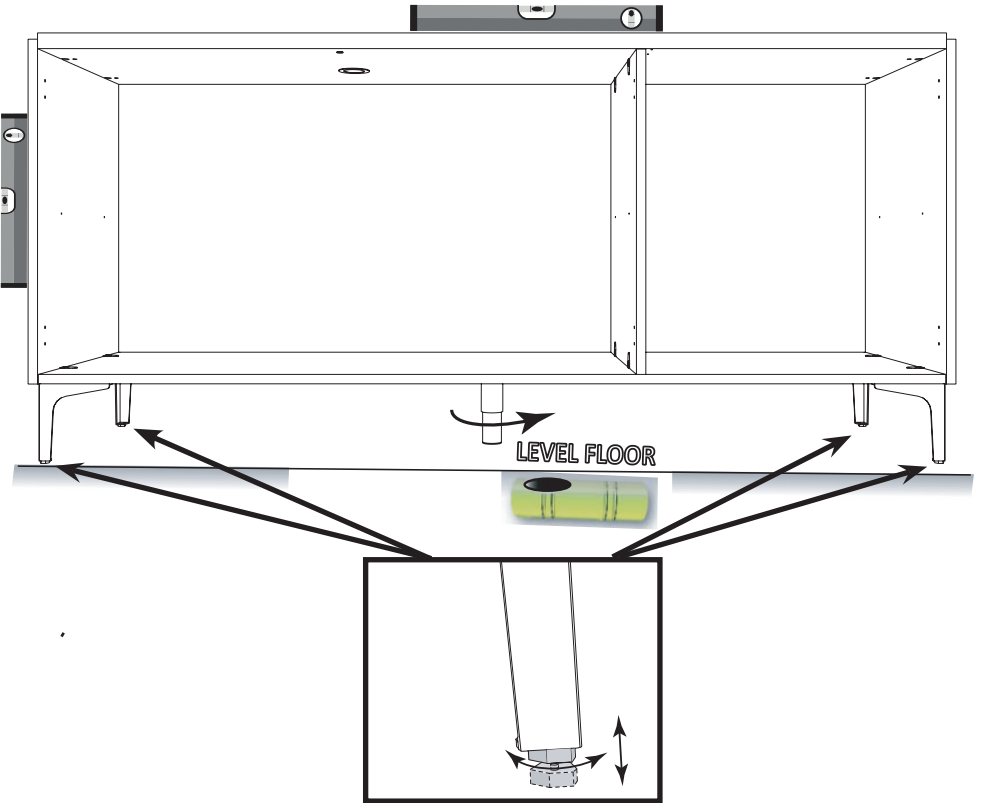
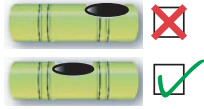
4



5



## LEVELING TIPS

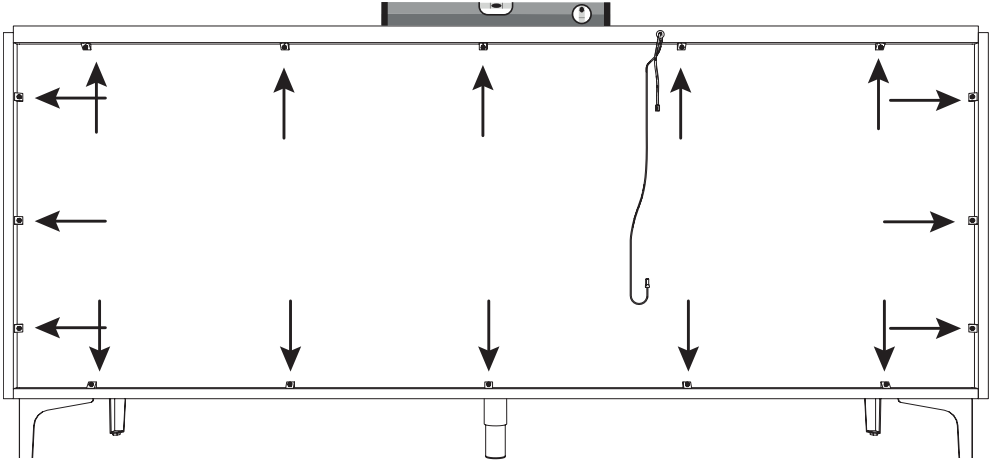
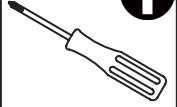




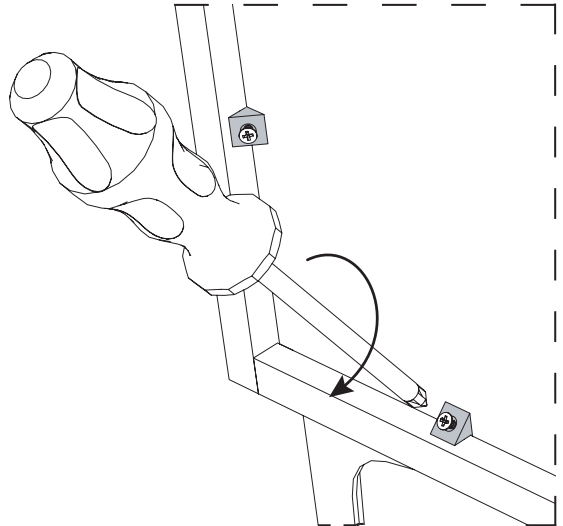
d (x16)



MPXVAR37



d x 16



e (x4)

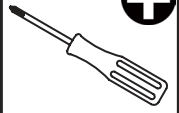


MPARVV16

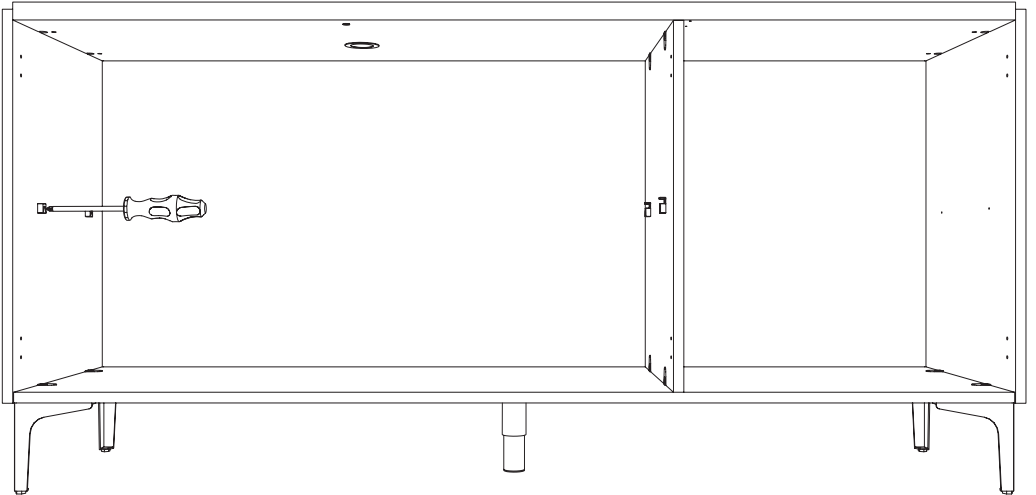
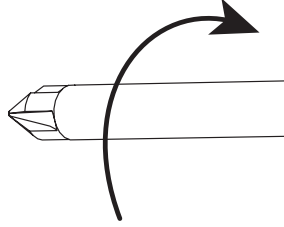
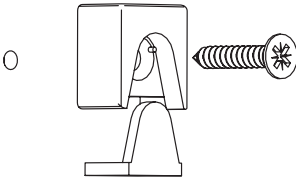
g (x4)



TSP Ø 3,5x20



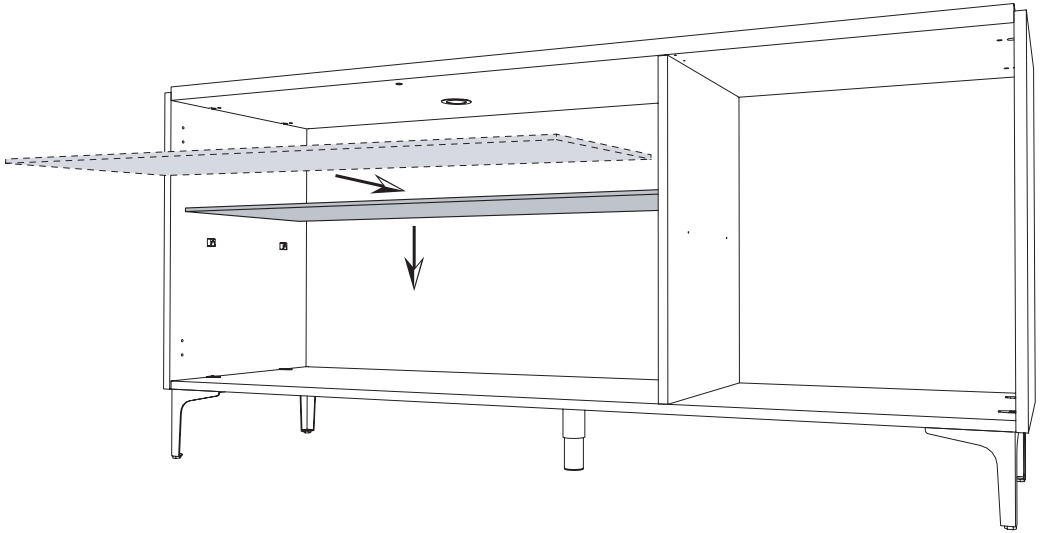
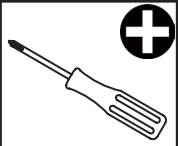
e+g x 4



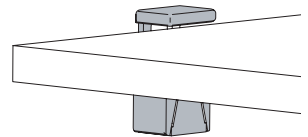
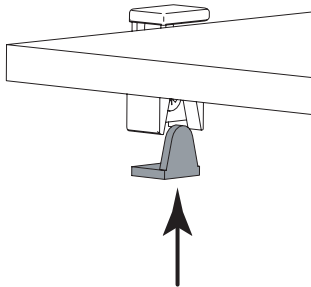
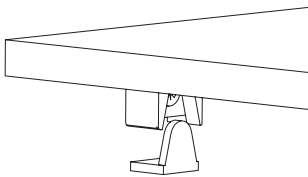
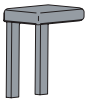
f (x4)



MPARVV17



f x 4

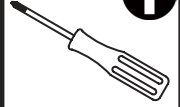


**h** (x4)

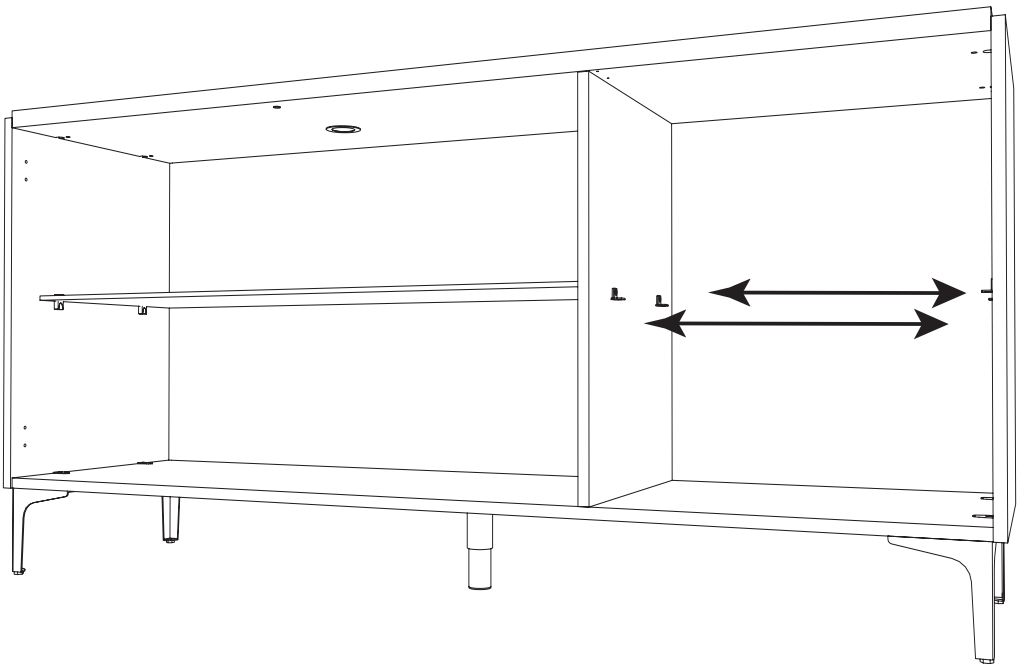
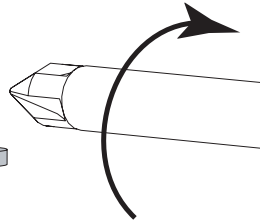
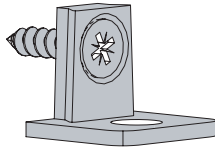
MPARLL029

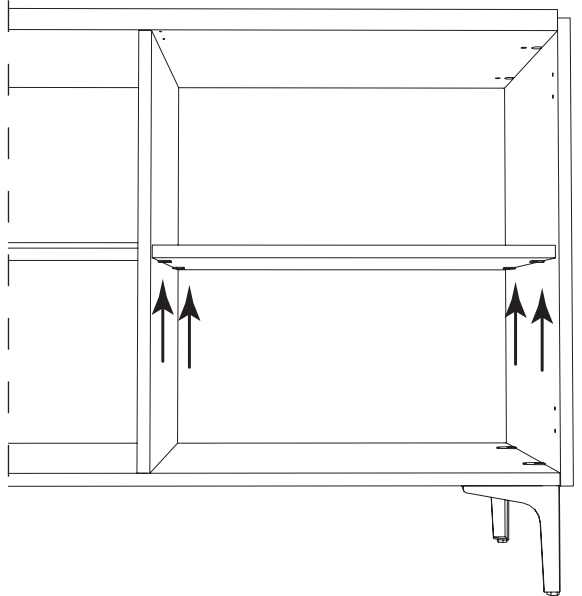
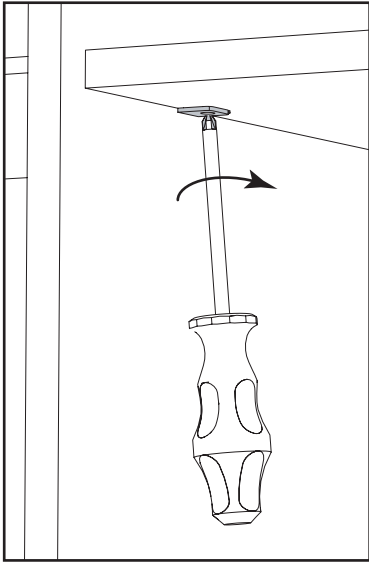
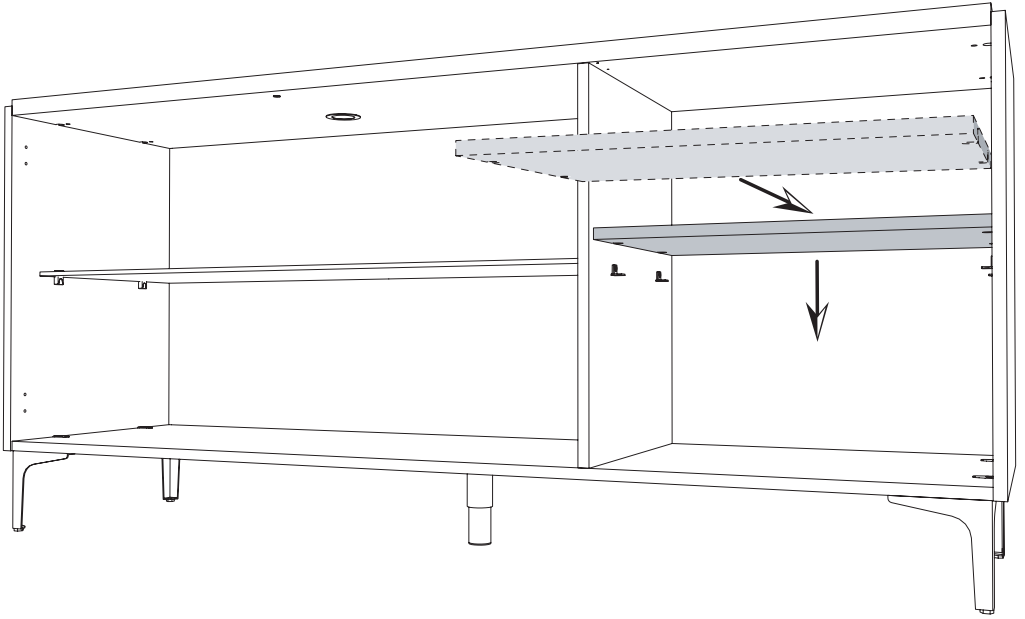
**i** (x16)

TSP Ø 3.5x16

 $h+i \times 4$ 

⊕





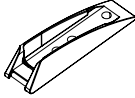
12

**i** (x2)



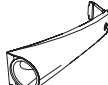
TSP Ø 3.5x16

**k** (x1)



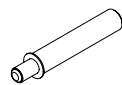
MPXFER66

**l** (x1)

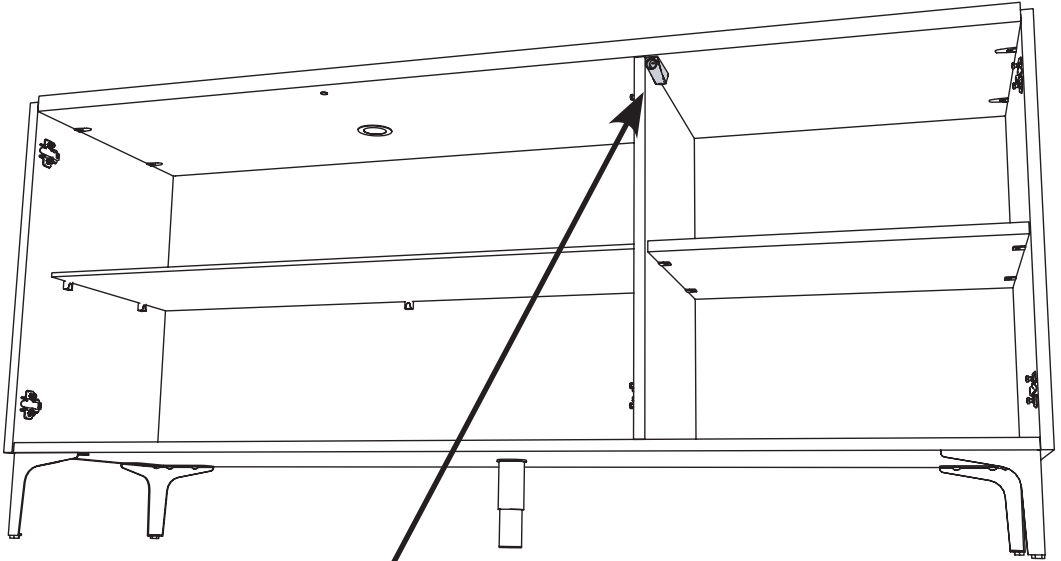
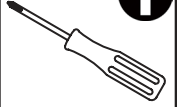


MPXFER67

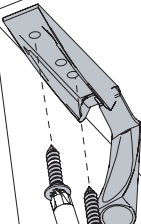
**m** (x1)



MPXFER69

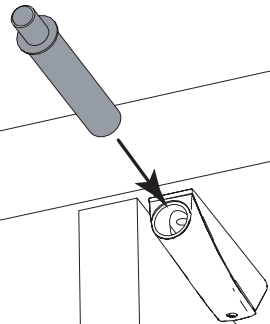


**k x 1 + l x 1**

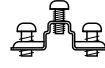


**i x 2**

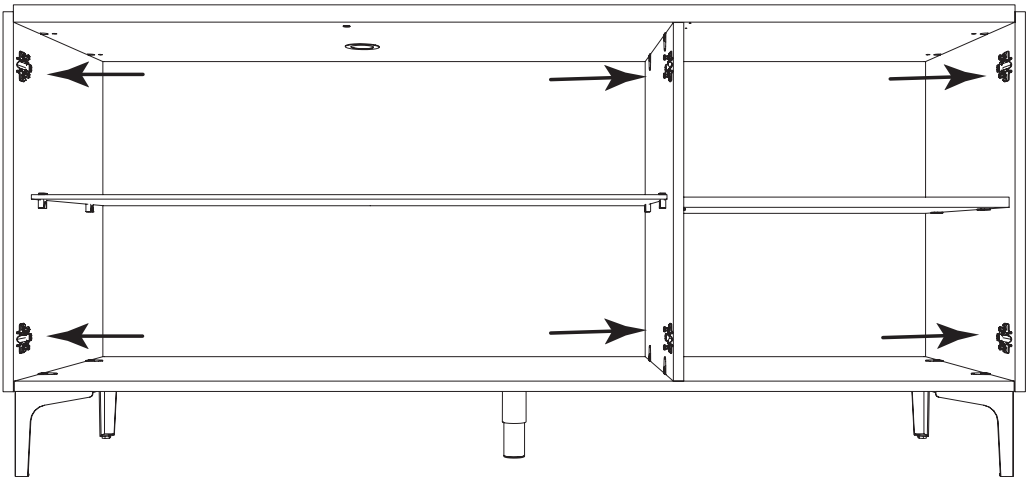
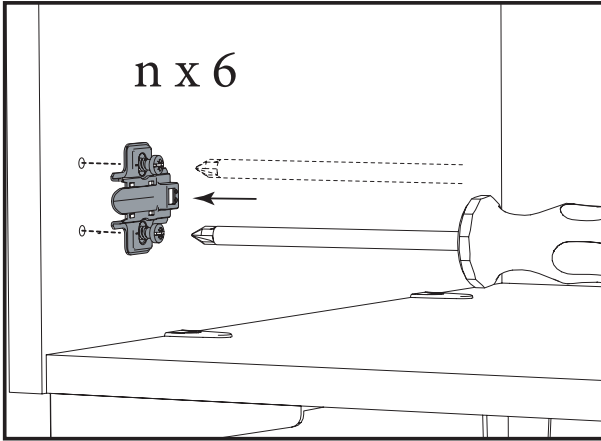
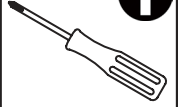
**m x 1**

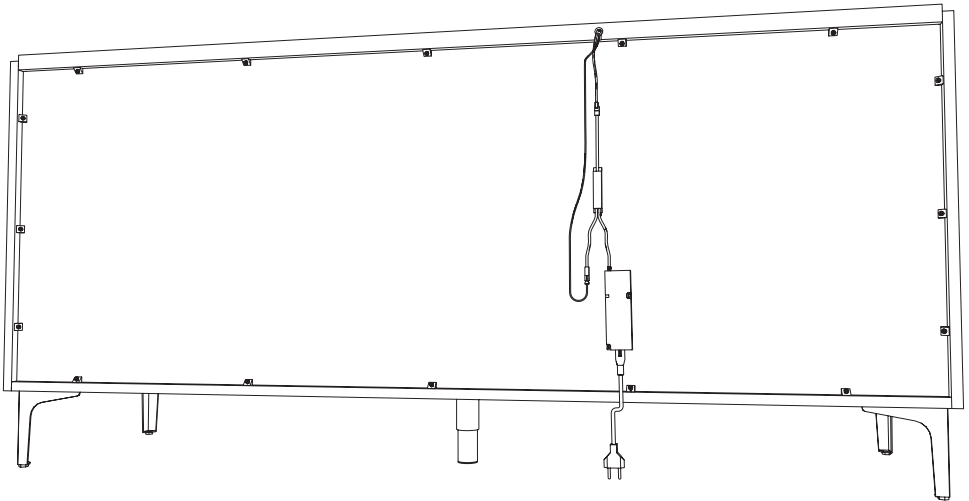
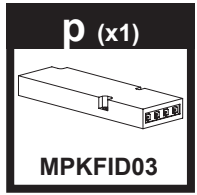
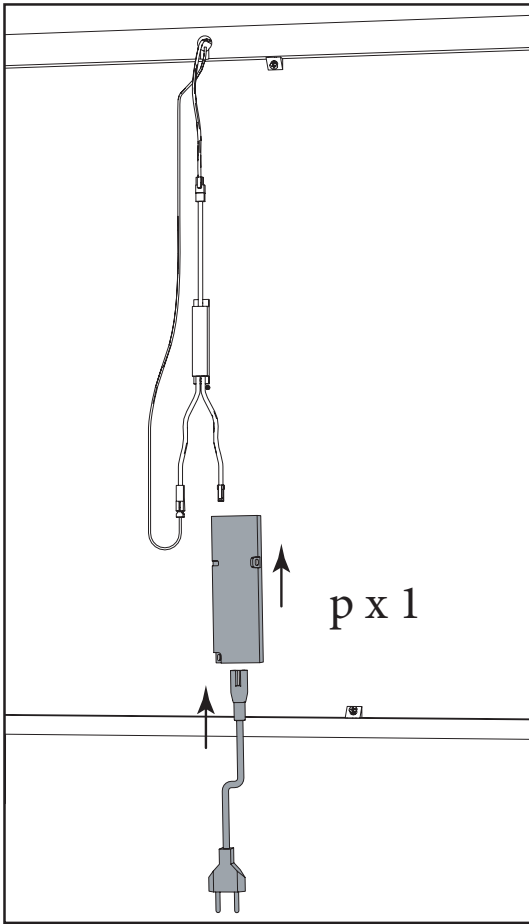


n (x6)



MPC04BA04







15

LUSSO DAY

**i** (x12)

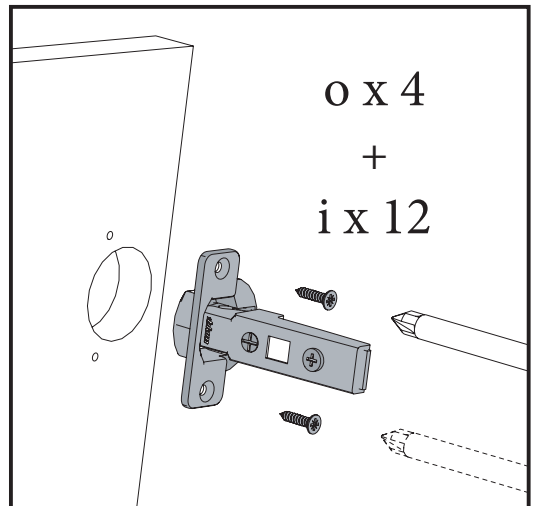
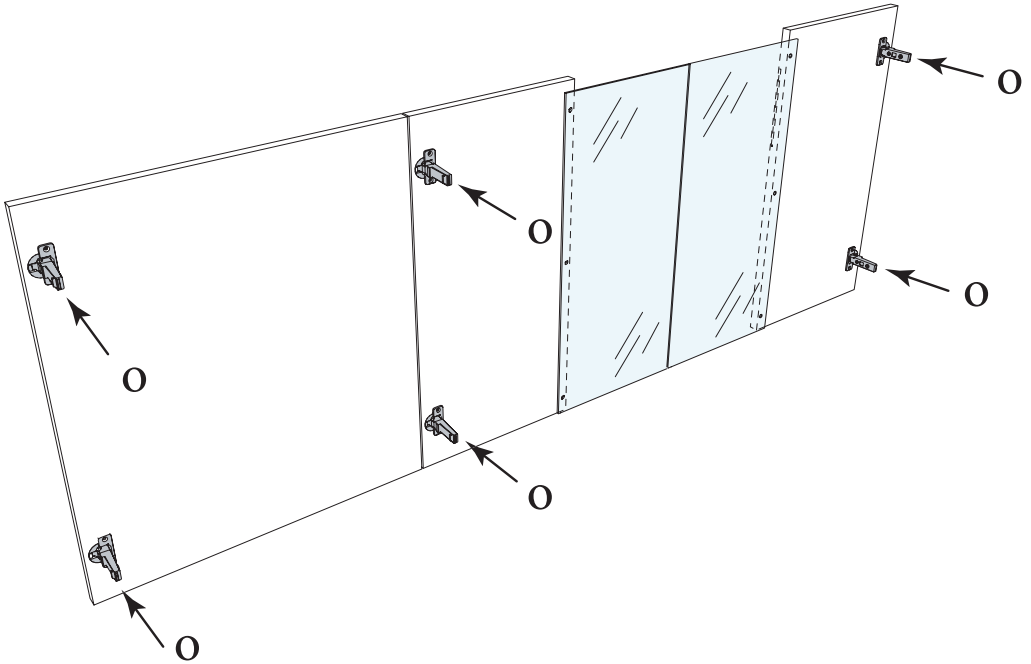
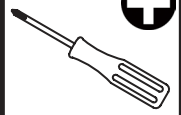


TSP Ø 3.5x16

**O** (x6)



MPC04CL05



16

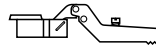
FIDIA DAY

**i** (x12)

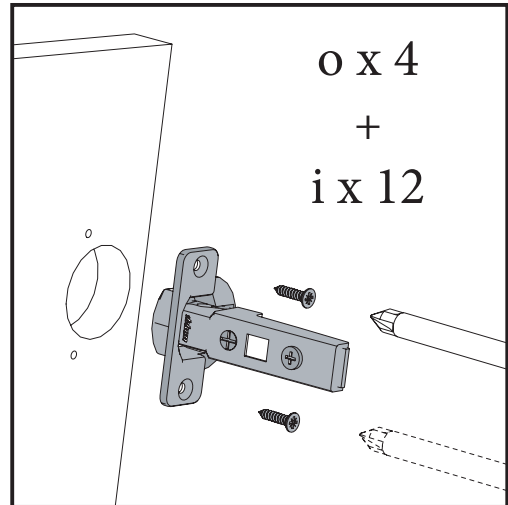
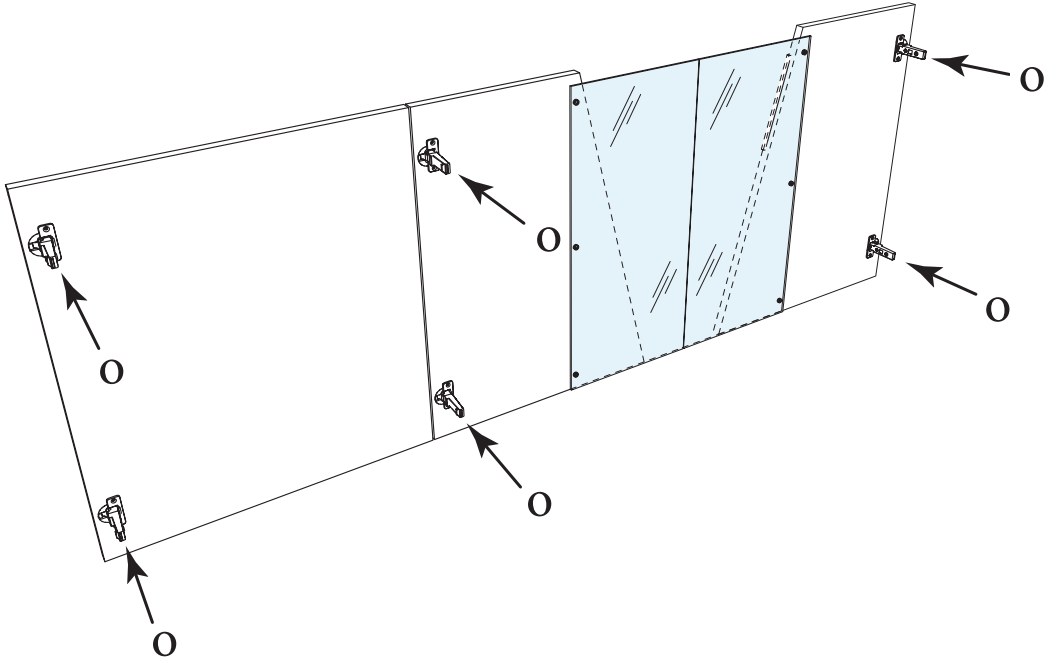
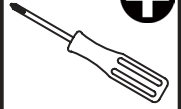


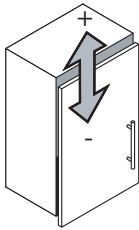
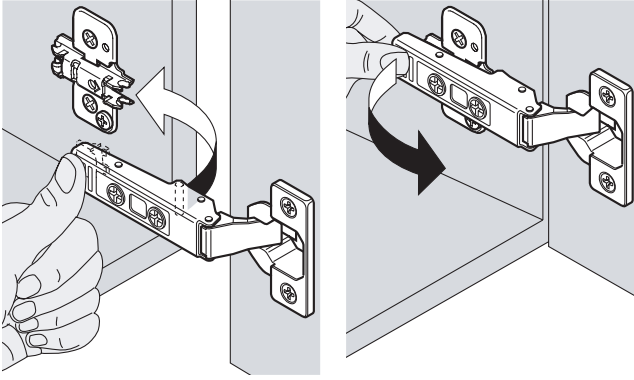
TSP Ø 3.5x16

**O** (x6)

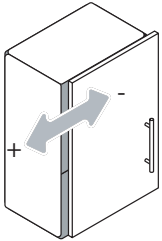
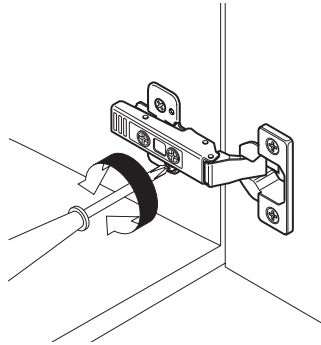


MPC04CL05

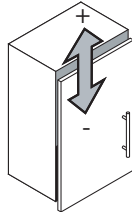
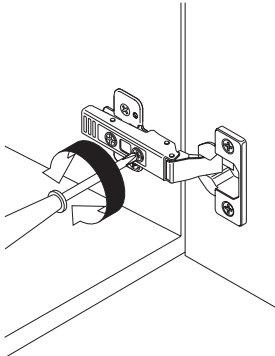




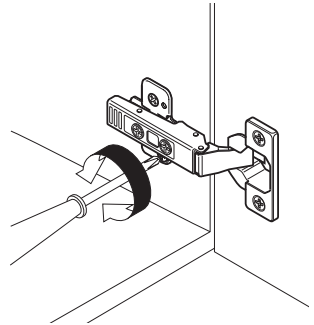
(+/- 2 mm)



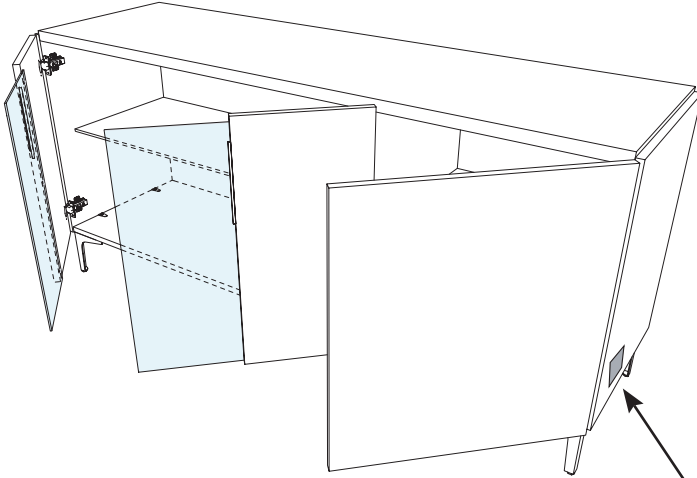
(+/- 2 mm)



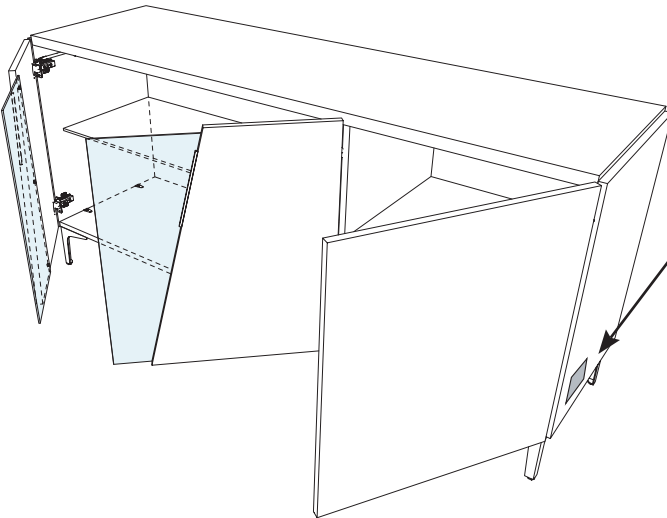
(+/- 2 mm)



## LUSSO DAY



## FIDIA DAY



r x l

